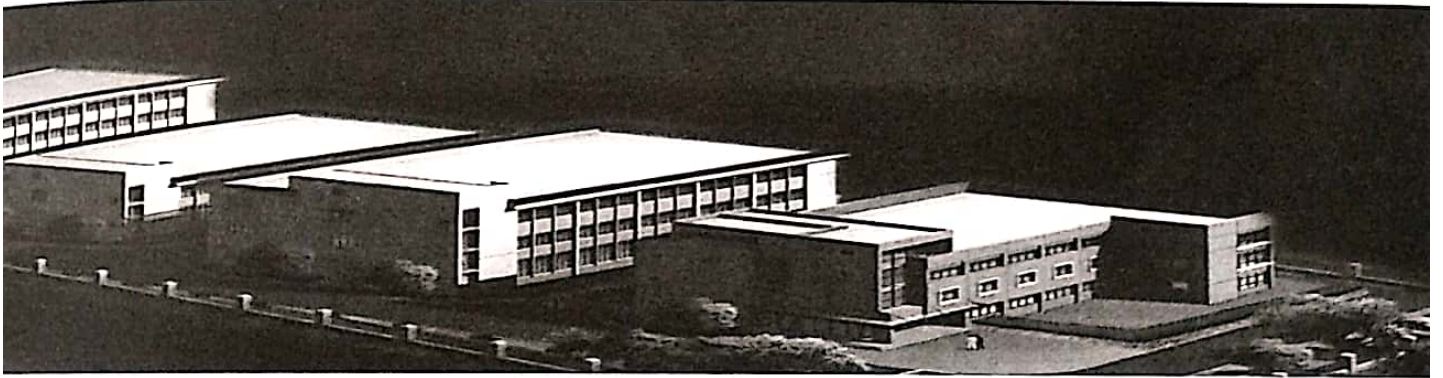
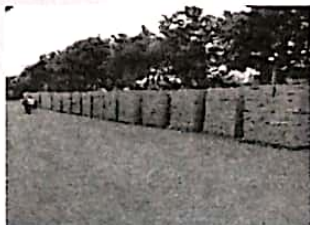


# Pure Audio



## USER GUIDE





Thank you for using AM Series Public Address Machine, please carefully read the user guide before any operation.

The products includes pre-amplifier so you can directly connect the sound source and play it! The machine has Outputs: main 4-16ohm/70V/100V, 5 Zones 100V and Inputs: 3 Aux Inputs, 2 MIC Inputs with Microphone Priority, USB/SD Card, FM Radio Bluetooth etc. Both of the 5 Zones, 3 Aux, 2 Mic, USB/SD and Bass/Treble Volume can be controlled individually.

This machine has over-current protection, over-voltage protection, short-circuit protection, DC protection and Boot time delay etc.

## Service Regulations

### 1.Preparation

- A. Check all the input interface and ensure all the interfaces are intact. The Interfaces includes 3 Auxiliary Input, 2 Microphone Input, USB Port, SD Port and FM, Bluetooth etc.
- B. Ensure that the external load is less than the machine rated load, or the amplifier will not work normally.
- C. Check the Grid that will be used, if the Grid seriously fluctuates or is over 240V then you need a AC Stabilified Voltage Power.

### 2.Start

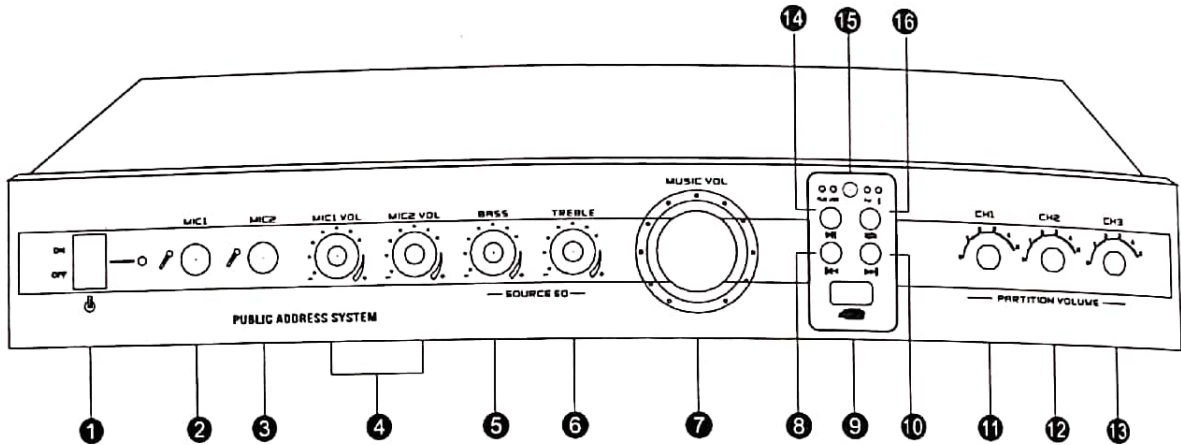
- A. Insert the power plug into an AC 220V $\pm$ 10% 50~60Hz outlet.
- B. Connect the Input Signal.
- C. Connect the Load Speaker.
- D. Turn on the power, and slowly turn up the volume, observe the Output Level LED and ensure the amplifier is not overloaded.

## Caution

- 1. Although the machine has reliable short circuit protection, we suggest you to use carefully and avoid short circuit in order to increase the service life.
- 2. The machine should be moisture-proof packaged and make sure prevent vibration during handling.
- 3. If the machine is overloaded, please turn down the volume.

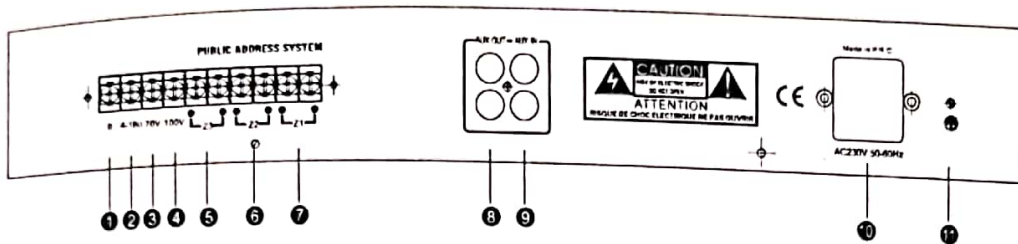
# Public Address Amplifier

## Front Panel



1. Power Switch
2. MIC1 Input
3. MIC2 Input
4. MIC1-2 Vol Control
5. Bass Vol Control
6. Treble Vol Control
7. Main Vol Control
8. Short Press: Previous Song  
Long Press: Turn Down Volume
9. USB Port
10. Short Press: Next Song  
Long Press: Turn Up Volume
11. ZONE1 Vol Control(5-Tier Vol)
12. ZONE2 Vol Control(5-Tier Vol)
13. ZONE3 Vol Control(5-Tier Vol)
14. Short Press: Play/Pause Switch  
Long Press: Enable/Disable Mode
15. Remote Receiver
16. Short Press: Mode Switch  
Long Press: MP3 Player Off/On

## Back Panel



1. COM
2. 4-16Ω SPK OUTPPUT
3. 70V SPK OUTPUT
4. 100V SPK OUTPUT
5. ZONE1 100V SPK OUT
6. ZONE2 100V SPK OUT
7. ZONE3 100V SPK OUT
8. LINE OUTPUT
9. LINE INPUT
10. POWER PLUG(Built-in FUSE)
11. GROUND BOLT

## Connect and Operate

- \* Please confirm the power supply voltage is in conformity with the machine.
- \* Please turn off the power when connect input and output.
- \* Please confirm the speaker load is in conformity with the machine.
- \* Turn down the main volume when turn on the power.

# Public Address Amplifier

## Main Technical Parameters

Para		Model	AM-100W-3Z	AM-150W-3Z	AM-250W-3Z	AM-350W-3Z
Max Power			100W	150W	250W	350W
Output	Main	4-16Ω/70V/100V				
Model	5 Zones	100V				
Frequency Response		80Hz-18KHz ± 2dB				
Sensitivity		AUX: -10dB MIC: -52dB				
Signal Noise Ratio		>80dB				
Monitor Output		+4 dB				
AC Input		AC 220V ± 10% 50~60Hz				