



## TC-C38XQ Spec:I3W/E/Y/2.8mm/V4.2

Turret Camera

Pro Series



### KEY FEATURES

- Metal housing
- Up to Max. Resolution
- S+265/H.265/H.264B/H.264M/H.264H/Motion JPEG
- Color:0.002Lux@(F1.6,AGC ON),B/W:0Lux with IR
- IR Range 30m
- Built-in Mic, Built-in Speaker
- Support microSD/microSDHC/microSDXC card, up to 512 GB
- Support Smart surveillance
- Support Human/Vehicle Classification
- Operating Conditions -40°C~65°C(No turning on the light), Humidity 95% or less (no condensation)
- DC12V±25%,MAX 7W, POE 802.3af,MAX 8.5W
- IP66

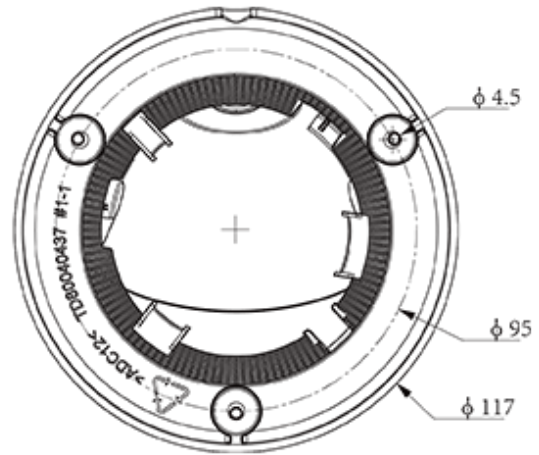
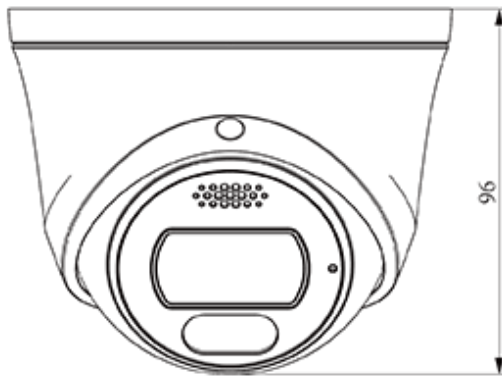
## SPECIFICATIONS

Camera	
Image Sensor	1/2.8"CMOS
Min. Illumination	Color:0.002Lux@(F1.6,AGC ON),B/W:0Lux with IR
Shutter Time	1s~1/100000s
Day&Night	IR-cut filter with auto switch (ICR)
WDR	120dB
S/N	>42dB
Angle Adjustment	0~340°(P); 0~75°(T); 0~360°(R)
Lens	
Lens Type	Fixed focal lens
Focal Length	2.8mm
Lens Mount	M12
Aperture Range	F1.6
Field of View	105.3°(H); 56.9°(V); 119.7°(D)
DORI Distance	Detect:77m Observe:30.5m Recognize:15.5m Identify:7.5m
Illuminator	
IR LEDs	2
IR Distance	30m
Wavelength	850nm
White LEDs	2
Whitelight Distance	15m
Compression Standard	
Video Compression	S+265/H.265/H.264B/H.264M/H.264H/Motion JPEG
Video Bit Rate	32k~16Mbps
Audio Compression	G.711A/G.711U/ADPCM_D/AAC_LC
Audio Sampling Rate	8kHz/32kHz/48kHz
Image	
Main Stream	PAL:20fps(3840×2160, 3072×2048), 25fps(2560×1440, 2304×1296, 1920×1080, 1280×720) NTSC:20fps(3840×2160, 3072×2048), 30fps(2560×1440, 2304×1296, 1920×1080, 1280×720)
Sub Stream	PAL:25fps(704×576, 704×288, 352×288, 640×360) NTSC:30fps(704×480, 704×240, 352×240, 640×360)
Third Stream	PAL:25fps(704×576, 704×288, 352×288, 640×480) NTSC:30fps(704×480, 704×240, 352×240, 640×480)
BLC	Yes
HLC	Yes
AGC	Yes
3D DNR	Yes

White Balance	Auto/Semi-Auto/Manual/Sunshine/Nature Light/Warmlight Lamp/Daylight Lamp/Filament Lamp/Lock White Balance
ROI	8 rectangular static areas
Corridor mode	Yes
OSD	Overlay of additional characters in 5 regions, 2 lines, with a maximum of 127 characters or 42 Chinese characters per region; 16*16/32*32/48*48/64*64/96*96
Picture Overlay	1*200x200 size BMP 24 color bit image overlay
Privacy Mask	4 black static areas
Defog	Yes
<b>Feature</b>	
Alarm Trigger	Motion Detection; Mask Alarm; Voltage Alarm; Disk Full; Disk R/W Error; IP Address Conflict; MAC Address Conflict; FTP Server Exception ; Event Input, Event Output
Linkage Method	send email; trigger sound; trigger warmlight; trigger recording; trigger capture; notify surveillance center
Video Analytics	Human/Vehicle Classification; Tripwire; Perimeter; Video Abnormal; Audio Abnormal
Rules of behavior analyse in 1 scene	8
Early Warning(EW)	Early Warning(EW)
<b>Network</b>	
ANR	Yes
Protocols	HTTP; HTTPS; TCP/IP; UDP; UPnP; ICMP; IGMP; SNMP; DHCP; DNS; DDNS; Easy DDNS; NTP; SMTP; SSL; 802.1X; QoS; IPv4; IPv6; PPPOE; SSH; Unicast; Multicast; RTCP; ARP; SRTP; RTSP; FTP; SFTP; NAS
System Compatibility	ONVIF Profile S/T/G/M; CGI; Milestone; RTMP
Remote Connection	≤7
Client	Easy7 Smart Client
Moblie Client	EasyLive Plus
<b>Interface</b>	
Communication Interface	1*RJ-45,10/100 Mbps self-adaptive Ethernet port
Audio I/O	1; 1
Alarm I/O	1-ch,TTL input,3mA,3.3VDC; 1-ch,TTL output,30mA,12VDC
On-board storage	Support microSD/microSDHC/microSDXC card, up to 512 GB
RTC	Yes
<b>General</b>	
Web Client Language	19 languages Simple Chinese/Traditional Chinese/English/Spanish/Korean/Italian/Turkish/Russian/Thai/ French/Polish/Dutch/Hebrew/Arabic/Vietnamese/German/Ukrainian/Portuguese/Albanian
Operating Temperature	-40°C~65°C(No turning on the light)
Operating Humidity	Humidity 95% or less (no condensation)
Storage Temperature	-40°C~65°C
Storage Humidity	Humidity 95% or less (no condensation)
Power Supply	DC12V±25%,MAX 7W; POE 802.3af,MAX 8.5W
Protection	Surge4000V; ESD6000V; IP66

Boundary Dimensions	117(L)117(W)96(H)mm
Package Dimensions	140(L)140(W)120(H)mm
GrossWeight	0.75kg

## DIMENSIONS (Unit: mm)



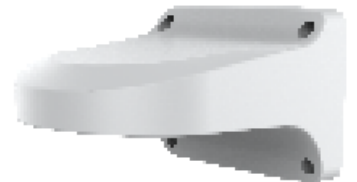
## Assembly diagram of Junction Box



TC-P54BM Spec:V5



A36



A29