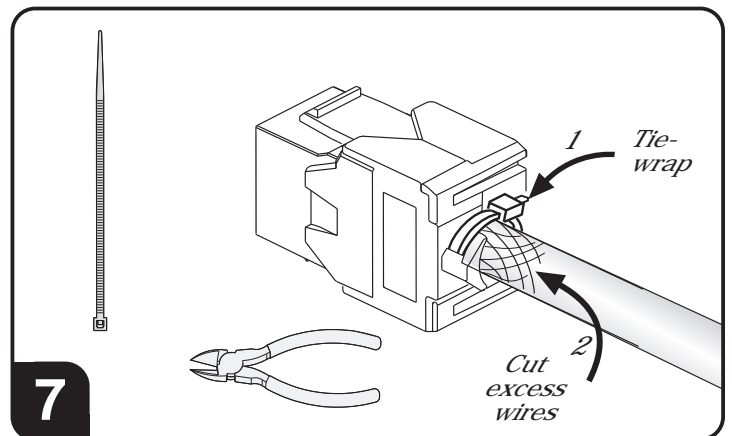
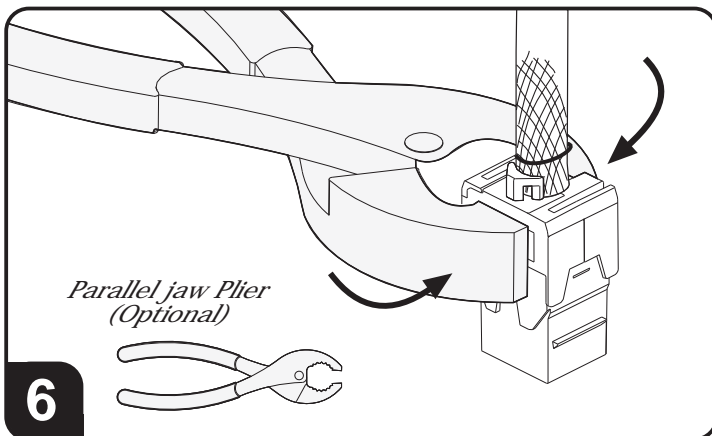
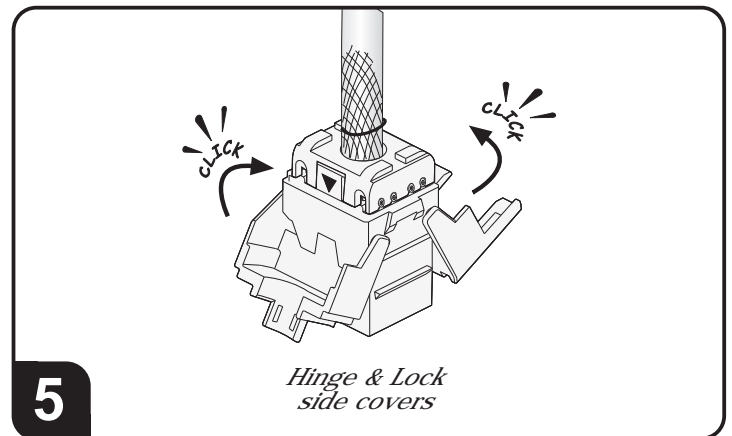
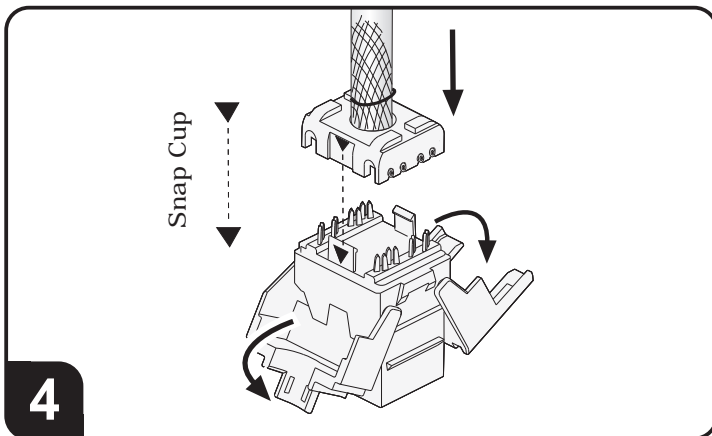
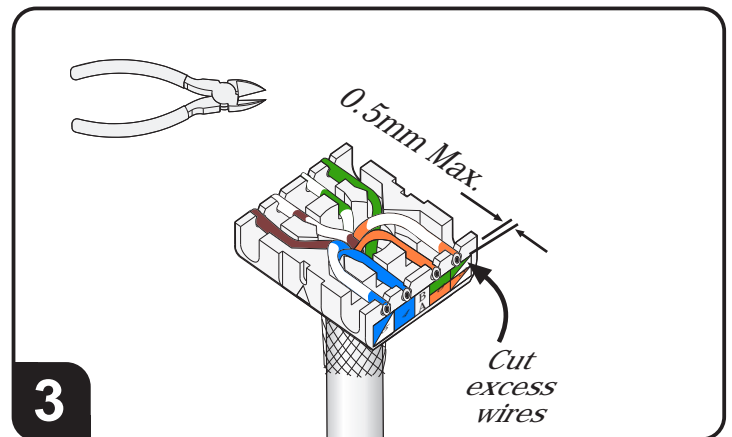
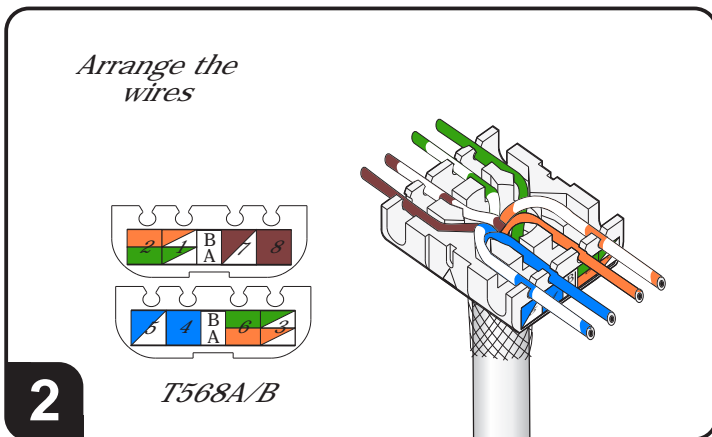
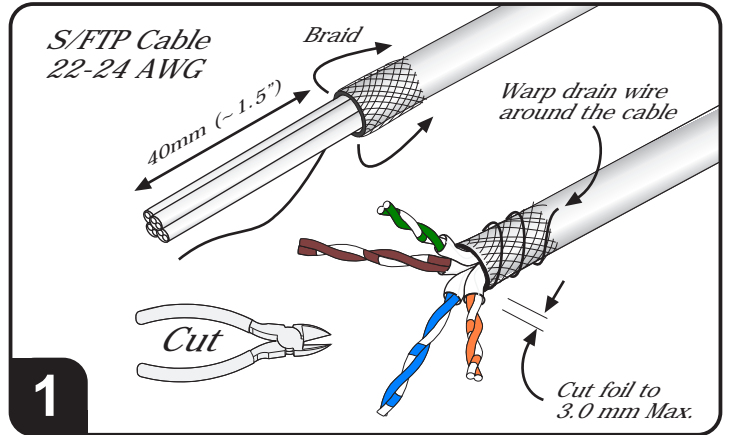
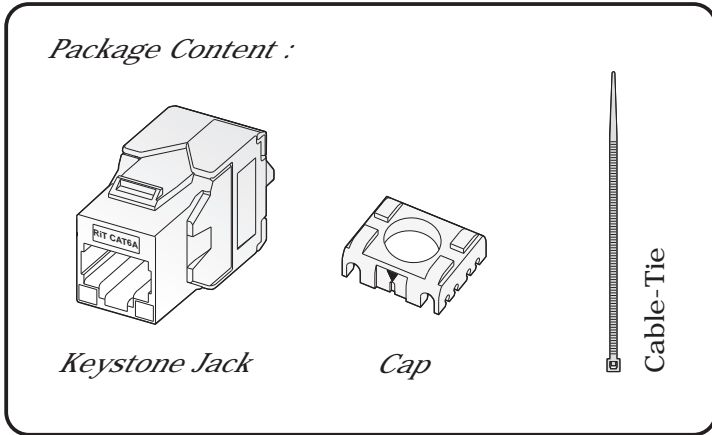




SMARTen HD Keystone Jack STP Installation Instructions

Instruction Sheet
4553490
REV. D.0





SMARTen HD Keystone Jack STP Installation Instructions (Cont.)

Instruction Sheet 4553490
REV. D.0

To assist safe installations, comply with the following:

- A. Never install telephone wiring during a lightning storm.
- B. Never install telephone jacks in wet locations unless the jack is specifically designed for use in wet locations.
- C. Never touch uninsulated telephone wires or terminals unless the telephone line has been disconnected at the network interface.
- D. Use caution when installing or modifying telephone lines.

Notice:

1. Equipment is not intended to be connected to telecommunications network with voltages which are higher than typical telecom voltages (150Vrms to ground, 200Vp, 300Vp-p).



RiT International Headquarter

Tel: +972.77.270.7270

Fax: +972.3.647.4115

E-mail: mkt@rittech.com

RiT Office in China

Tel: +86.21.6445.3181

E-mail: marketing@rittech.com.cn

RiT Rep. in India

Tel: +91.22.611.0352

E-mail: mktg.india@rittech.com