


PMF50 Series Photoelectric Sensors

■ Features

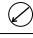

- Non-sphere optical lens totally eliminate stray light and overcome the interference from such light sources as sunlight.
- Built-in LED light source makes installation easy.
- LIGHT ON/DARK ON selectable
- Able to detect working status by power LED indicator and output LED indicator
- Protection rating IP65(IEC)



Please read safety cautions before using

Configurations	Model
	PMF50R-RF

■ Specifications

Model	PMF50R-RF
Type	Retroreflective (*1)
Sensing target	Opaque materials of Min. ϕ 60
Sensing distance	0.1-7m
Response time	Max. 20ms
Power	10-30V DC
Non-load current	Max. 3VA
Light source	Red LED (Modulated: 660nm)
Action mode	1. when VR on  Status: Light on; 2. when VR on  Status: Dark on
Control output	Relay output(contact rating:30VDC,1A resistant load;120VAC,1A resistant load; contact component:1C)
Protection circuit	Reverse polarity protection
Indicator	Power indicator:green; Action indicator:red
Cable	Outgoing cable
Insulation resistance	Min. 20M Ω (at 500VDC)
Noise strength	\pm 1000V the square wave noise(pulse width:1 μ s) by the noise simulator
Dielectric resistance	1000VAC 50/60Hz for 1 minute
Ambient brightness	Sunlight:Max. 11000 lx; Incandescent lamp:Max. 3000 lx
Ambient temperature	-20-+65 $^{\circ}$ C (at non-freezing status), Storage temp. -25-+70 $^{\circ}$ C
Ambient humidity	35-85%RH Storage :35-85%RH
Material	Case: ABS Lens: PMMA
Protection rating	IP65 (IEC)
Wiring	ϕ 5, 2*0.3, Length:2m
Accessory	Mounting bracket:IB02; Nut:M4; Bolts:M4*25m

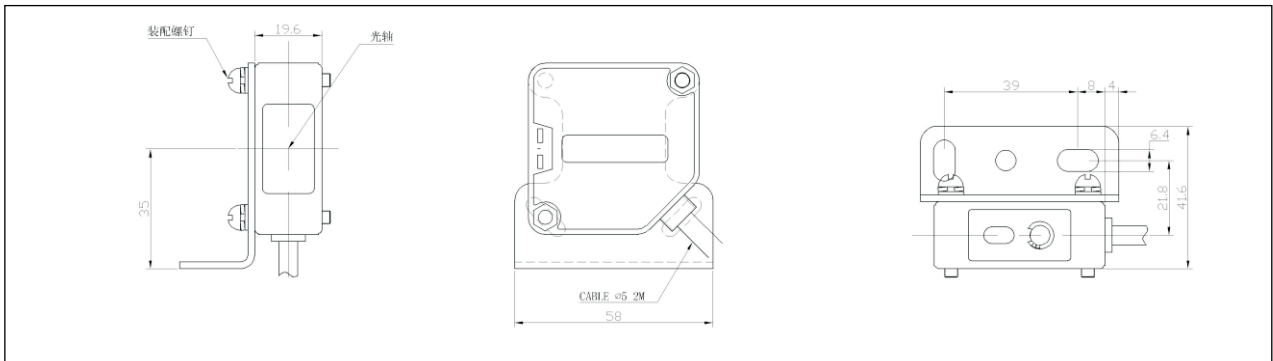
Notes

- (1)*1 The sensing distance indicating set range between reflector and sensor depends on RP04.Target could be detected within0.1m.
 (2) Reflector varies according to the sensing distance ;

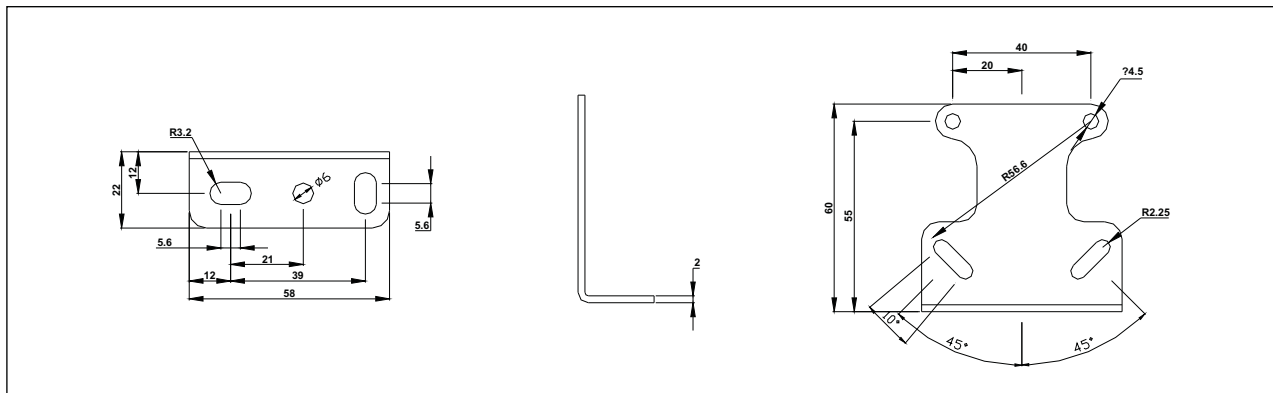
PMF50 Series Photoelectric Sensors

■ Dimensions

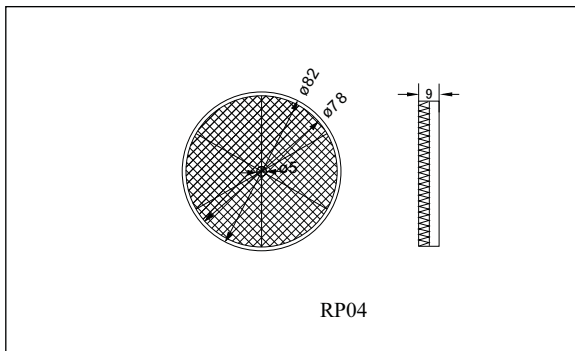
mm



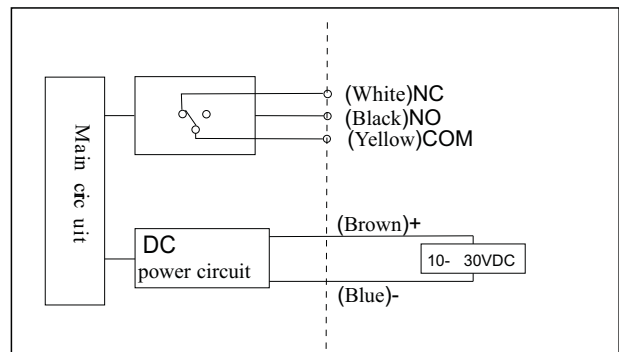
■ Bracket — IB02



■ Mirror



■ Control output diagram



DC power, relay output