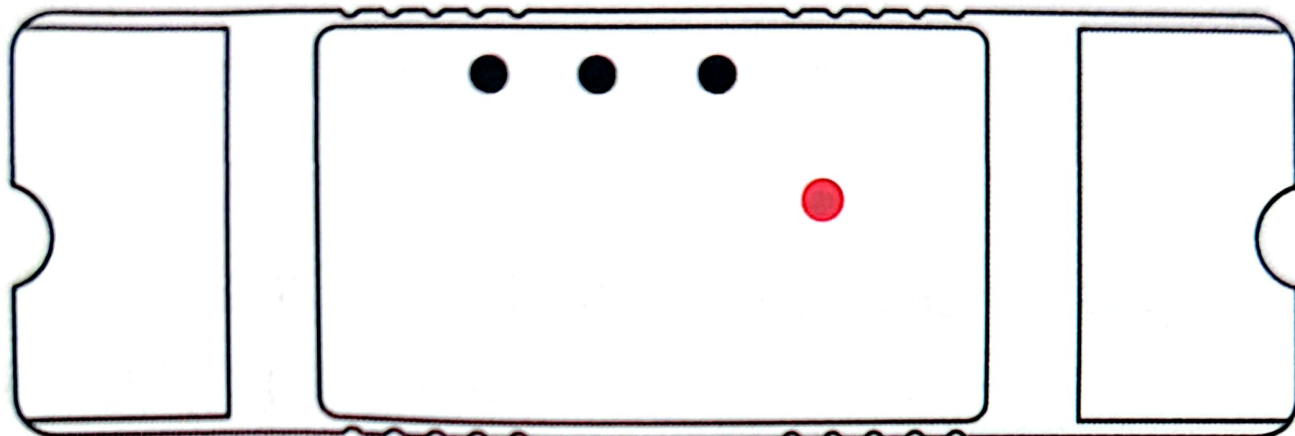


Three Mode WiFi Switch

Model: TYWB 2CH 85V~250V RF



Parameters:

Input voltage: AC 85V~250V

Max.Current:2200W/10A/gang

Wireless:Wi-Fi 2.4ghz b/g/n+Bluetooth

Radio Frequency:433Mhz

Working temperature: -20°C~70°C

Size: 116*38*25mm

Checklist before using the device

- Your smart phone or tablet has connected to a 2.4g WiFi with internet.
- You need to enable Bluetooth of the phone.
- You have the correct WiFi PWD.
- Your smart phone or tablet must have access to APP store,Google play.
- Your router is MAC-open.

User Guide

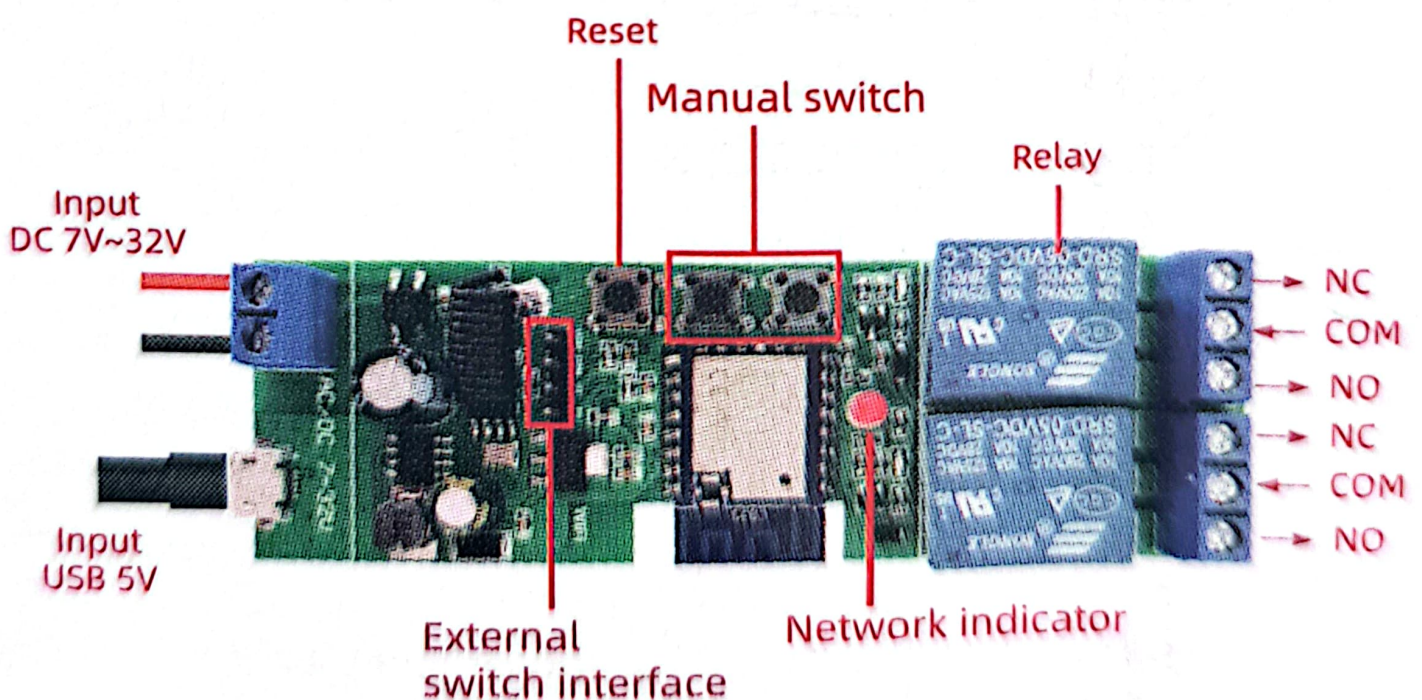
- 1 You can download the App by searching "Tuya Smart" in mobile app stores or scanning the following QR code



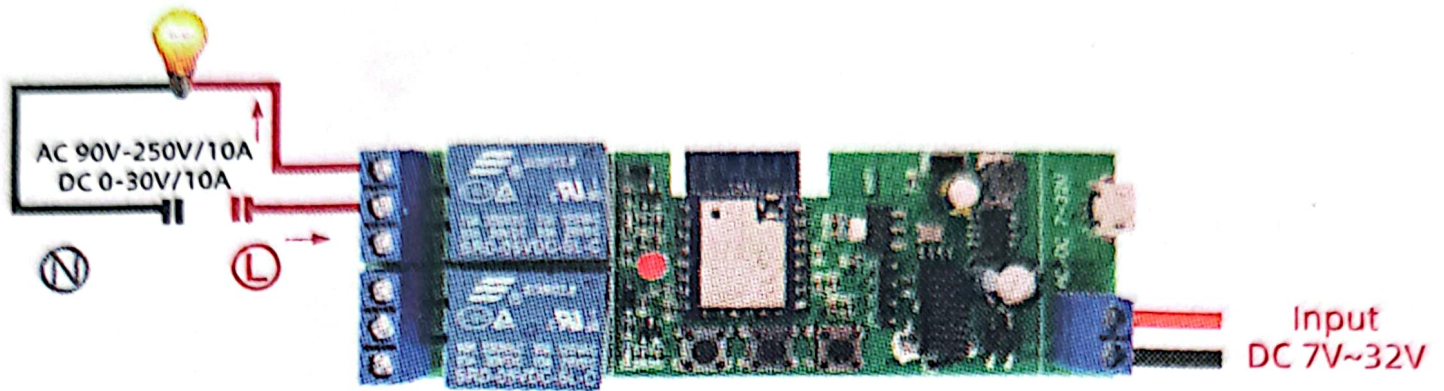
- 2 Register an Tuya Smart account.
- 3 If you have Tuya Smart account. just login.
- 4 Power on.

ON/OFF operating principle:

The connected appliances work/stop through live wire power on/off.



self-locking 1



Add devices

① Reset the device first:

if the network indicator blinking fast (0.5S/time) , skip the reset step.

① Power on

② hold down the Reset button for 5 seconds. until network indicator(red light) blinking fast(0.5s/time).

② Clicking in the top right corner on tuya smart app. then click "Auto Scan" ,wait a few seconds, After the devices are found,Click "Next"



Add Manually

Auto Scan



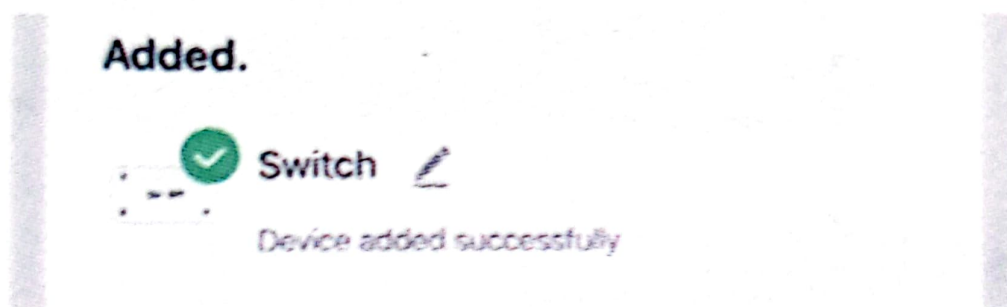
Automatically discover Bluetooth/Wi-Fi/Zigbee/wired devices when the corresponding permission is turned on

Ensure that the device is ready for network connection.

- 3 Select a 2.4GHz Wi-Fi network and enter your password.



- 4 Name your device.



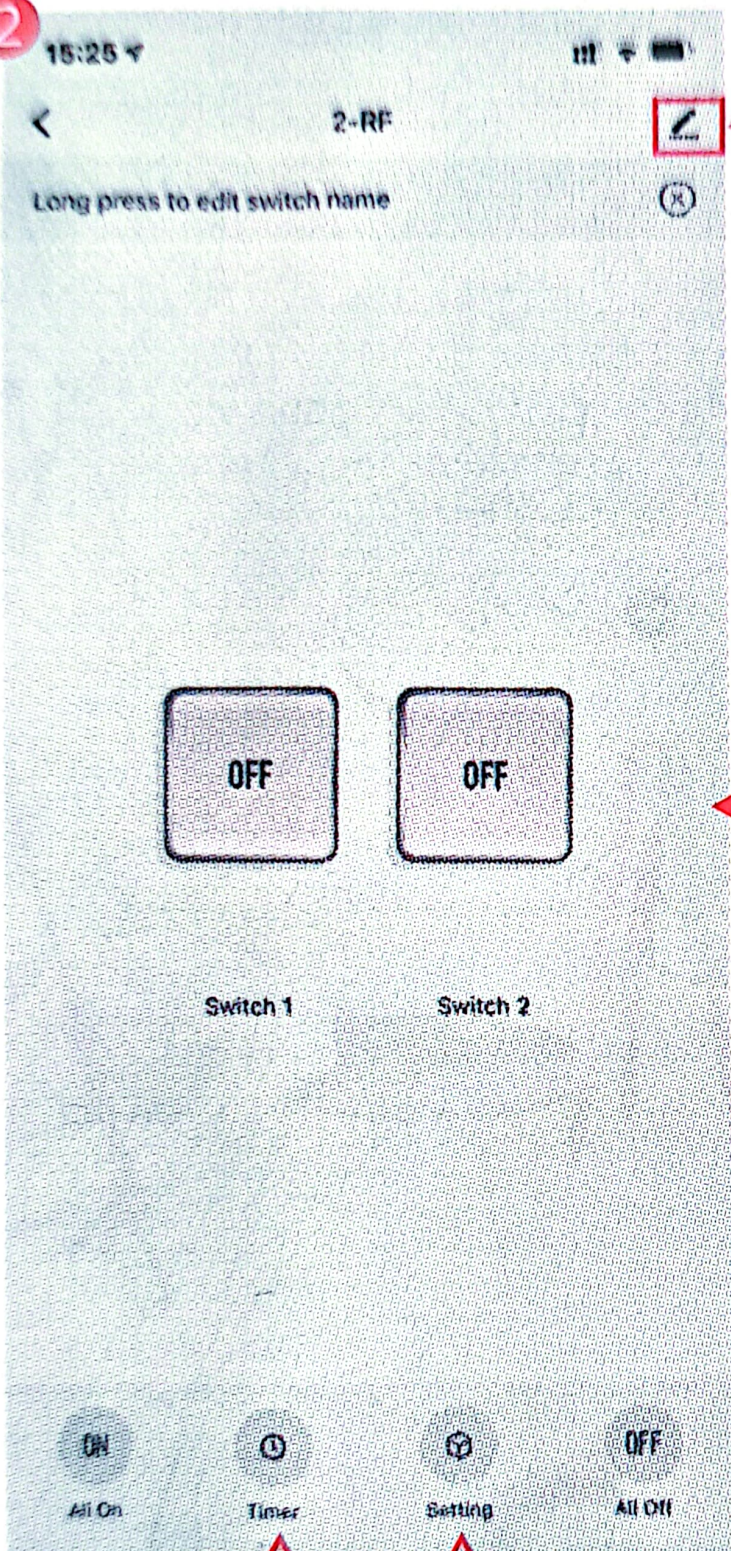
- 5 When the network indicator is on, the device is online.
- 6 When the network is disconnected, the switch will automatically switch to the Bluetooth control of the phone.
- 7 Click the on/off buttons on the APP can control device, Manual control switch also can be display real-time on the APP.

APP Function



Tip here to enter the full function operation interface.

2



- Rename
- /Offline Notification
- /Third-party Control
- /Share Device
- /Create Group
- /Device Update
- /Rmove Device

Long press the switch to change the name

- /Countdown
- /Schedule
- /Circulate
- /Random
- /Inching

- /Relay Status
- /interlock setting
- /RF remote control setup

Remote control matches the code

Matching:

- ① Figure ② interface, click setting> RF remote control setup>Add.
- ② When the prompt interface pops up, then long press the remote control button you want to match
- ③ loosen the remote control buttons, matching success.
- ④ Added successfully, assign the remote control buttons to the switches that need to be controlled



*match other buttons, repeat steps ① to ④.

Delete:

- ① Figure ② interface, click setting> RF remote control setup, Swipe the remote control to be deleted to the left, and click the delete on the right.

TROUBLESHOOTING

Solutions for the failure of product matching and offline:

Enter the homepage of App, click the icon in the lower right corner of the interface to enter.

