

GSM/4G Gate, Barrier, Shutter, Garage Door and Door opener
Open gate or garage door with a FREE call from your mobile phone!
Remote switching machines with a FREE call from your mobile phone!



SM200
User Manual
Ver 1.0

I Preface

Thank you for using the SM200. You will know well about the functions and operation methods of this product quickly through this User Manual.

This product is mainly used for remote control application based on GSM/4G network. Please use it according to the parameters and technical specification in the User Manual. Meanwhile, the Notes shall be considered for usage of radio-control products, especially GSM/4G products. Our Company bear no liability for property loss or bodily injury arising from abnormal or incorrect usage of this product.

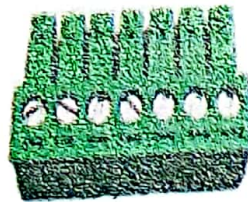
Packing List



SM200



ANT



Wiring terminal



User Manual

II Induction

The GSM/4G Gate Opener SM200 is a very simple device which can be used for authorized door access, controlling gates, switching of remote equipment, car parking systems. SM200 can be used in places which requires turning ON/OFF your system, machines, equipment remotely with a FREE call from your mobile phone . Just dial from Authorized User number then the Barrier and doors are opened, or the machines are turned on or off. There are no call costs, SM200 rejects the call from authorized number then carries out the turn ON/OFF action.

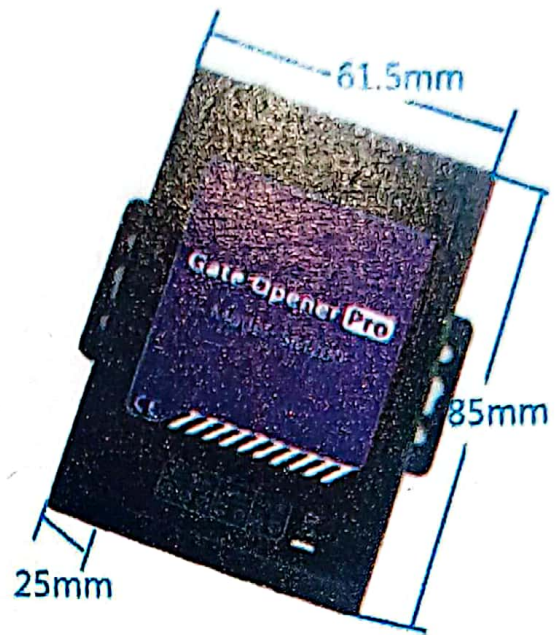
Features

- GSM Quad-band, can work in the worldwide GSM networks, Optional 4G
- No call charges. The GSM Gate Opener rejects the call from authorized number, then the relay will turn ON/OFF on the first ring
- Secure – Using caller ID for identification, unknown callers are ignored
- Can be operated from anywhere, no distance limit
- Add or remove users by SMS Text command
- Up to 200 authorized phone numbers can be configured
- Time limitation for access, user can call in to control only during the pre-set time period
- Automatically delete expired authorized phone numbers
- Automatically report current status by SMS or call to the 1 st number
- The relay close or open time is programmable
- The SMS Feedback confirmation is programmable
- Remember relay status when power failure
- One output with relay for connecting the switch of the door or machines
- The relay action will return a SMS confirmation to the owner, this function is editable
- One wired switch: we can control it under manual control mode
- Based on GSM/4G Network, applied to many application
(gates, bollards, barriers, garage doors, shutters and access doors or machines)

Technical specifications

Parameter item	Reference scope	Parameter item	Reference scope
GSM/4G Frequency	GSM:850/900/1800 /1900Hz 4G	Wired Switch	Supports
DC Power Supply	9-30V DC/1A	Relay Type	NO/NC
Power consumption	Max. 50mA/Average 25mA	Relay Time	Max. 0s – 999s
SIM Card	Nano type, 3V	Operating Temp	- 10°C ~ + 60°C
Antenna	50 Ω SMA	Relative Humidity	10% ~ 90%RH
Relay Specification	3A/250V AC 20A/14V DC	Dimension	85×61.5×25mm
Users	200	Net Weight	208g

Physical Layout



Interface Instruction

INDICATORS		
ANT		Connect to GSM/4G antenna
Signal		Flash per 1 second (quickly): registering to cellular network. Flash per 2 seconds: Normal status. OFF: can not connect to SIM card or unregistered to the cellular network.
Relay		Relay Status, calling in, the relay will work, this LED indicator will on.
Reset		Press and hold the Reset button until the Run LED is always on, then after 5 seconds,,it will reset the SM200 to factory default.If reset successfully,it will auto restart after 8 seconds
Run		Flash per 1 second: Connected the cellular network successfully. OFF: can not connect to SIM card or unregistered to the cellular network.
Connection Terminals		
12V DC	+	Power supply Input, Positive wire.
	-	Power supply Input, Negative wire.
Relay Output	NO	Normally Open port. 3A/240VAC. Connect to the switch of the electric lock or device.
	COM	Common port. 3A/240VAC. Connect to the switch of the electric lock or device.
	NC	Normally Close port. 3A/240VAC. Connect to the switch of the electric lock or device.
Switch		Dry contact, used to be connected with wired switch, like push button. Notice: It should not be connected with voltage input.

III Configuration guide of SMS

Please refer to the document of *SM200 Pro SMS Command Set*

Such as one of simple application :
just setup 1 parameter:

1.Setup Authorized phone number
example:

Authorized phone number:987654321

Send this command to SM200 by SMS:

1234#TEL987654321#001#

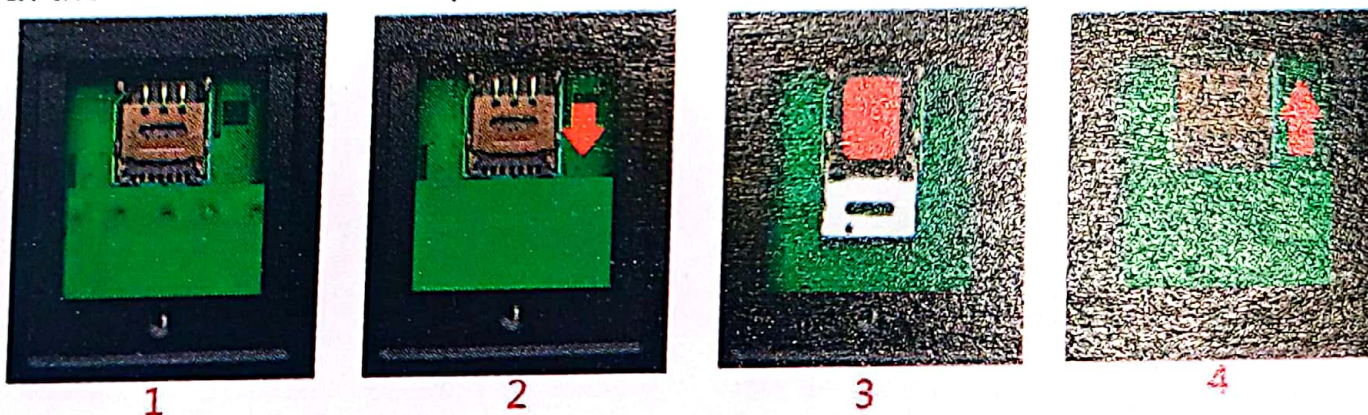
So we can use phone number(987654321) to call SM200 to control it

IV Installation

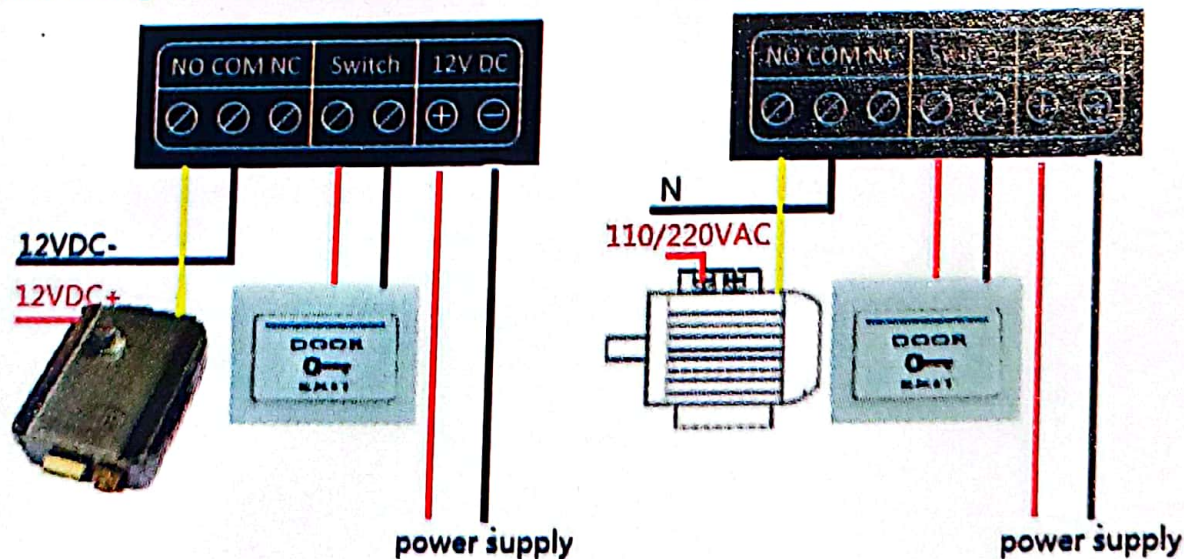
Before installing the control unit, please test the system firstly, including power supply, GSM signal, etc.

1) Insert SIM card into Control unit

In the backside of the unit ,please install the GSM SIM card



2) Connecting the Electronic Lock or Electric equipment



V FAQ

- The SM200 fail to register the net. Please affirm the following parameters
 - 1 The unit cannot support PIN Code Protected SIM Card
 - 2 Sim card supports SMS and voice function.
 - 3 Contact the local network to check whether to support the device's frequency band
 - 4 The GSM Signals are enough, Not too low .above 10If the problem cannot be solved, please contact the distributor or manufacturer.
- The SM200 can work normally ,but fail to send SMS to the first user number you can try to add the country code before the first number(refer to *SM200 Pro SMS Command Set*).When we add country code,we should add 00 or + before country code.Such as 44(country code in UK),we should use 0044 or +44 as country code in UK ,not 44.
If the problem cannot be solved, please contact the distributor or manufacturer.