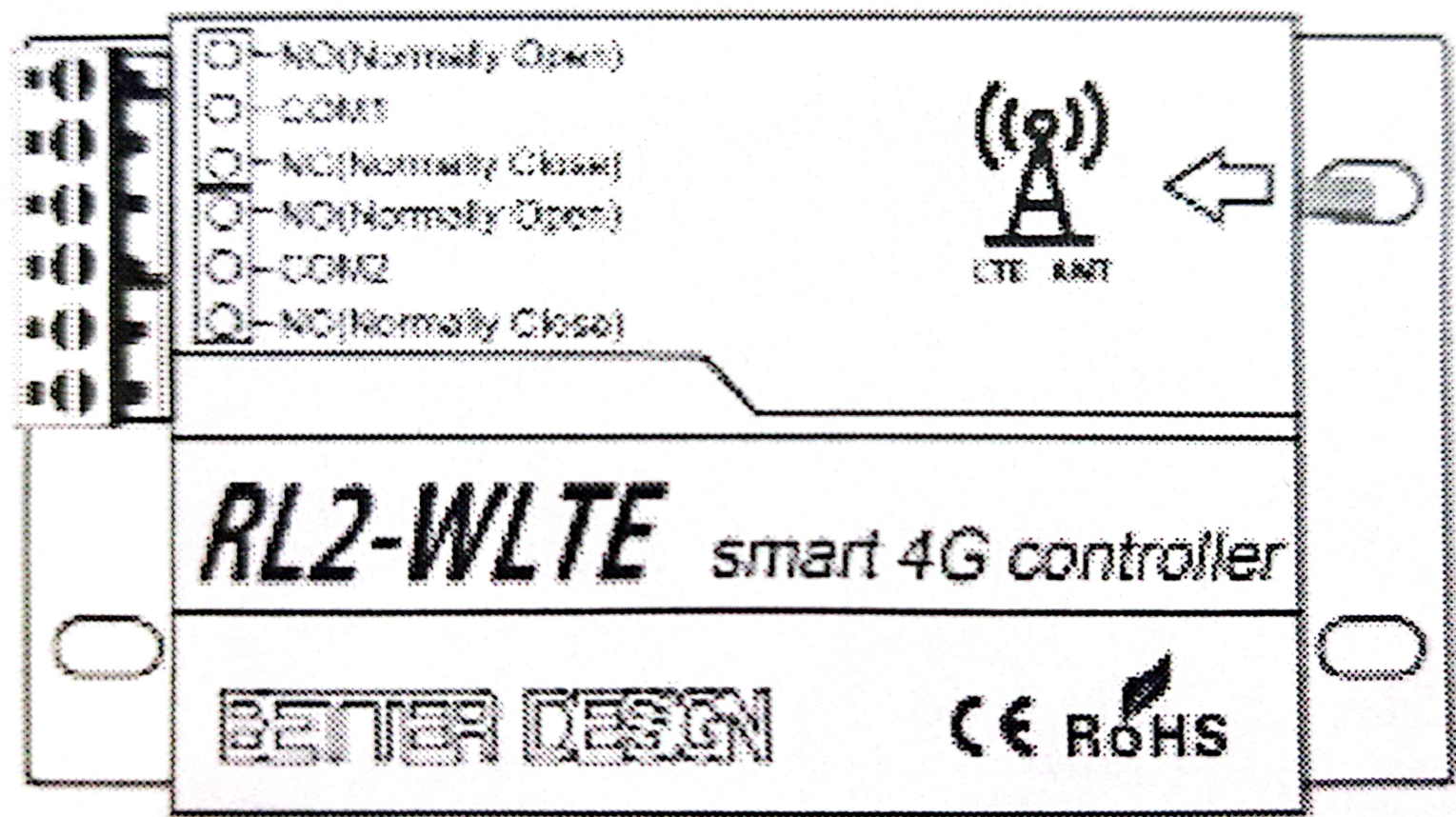
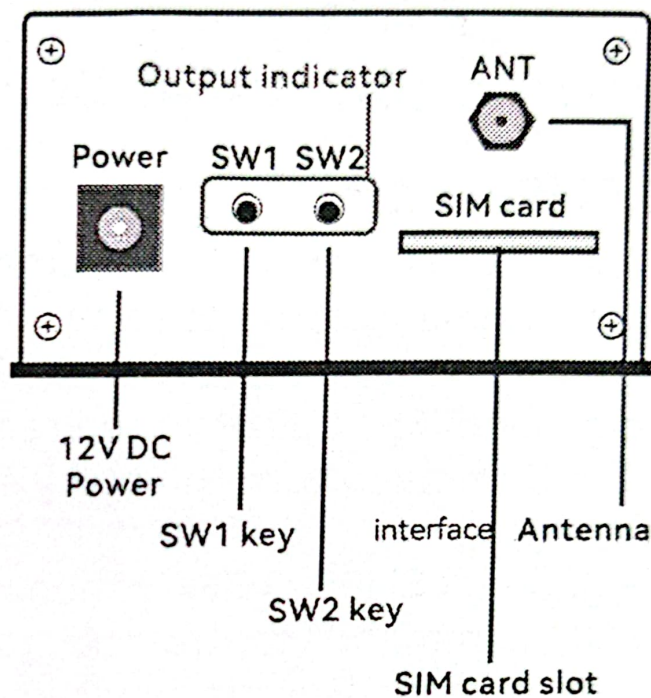
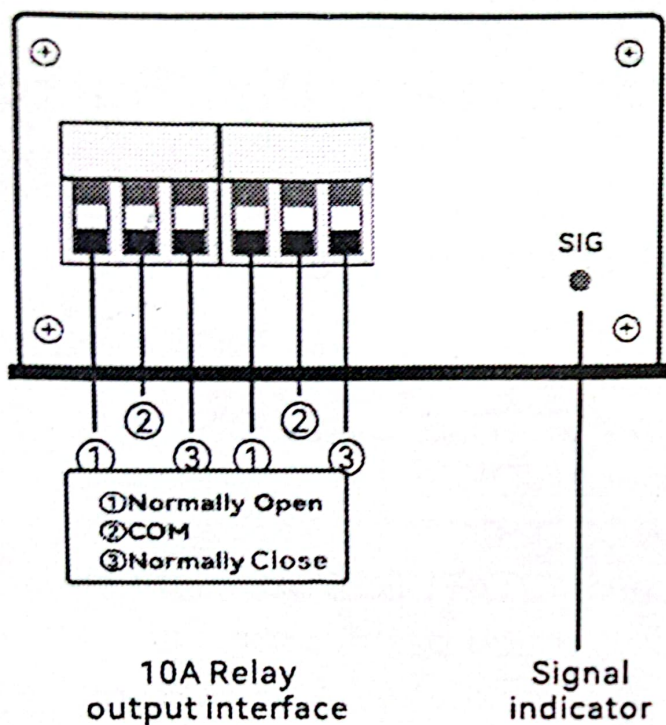


I .Overview





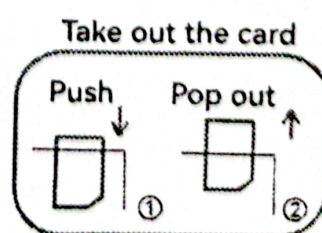
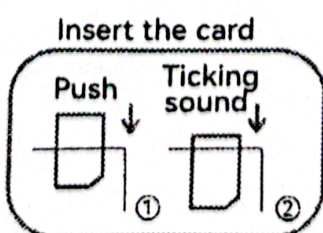
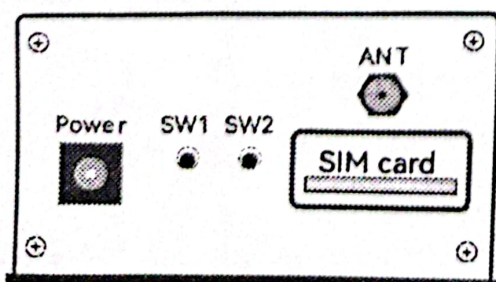
II .Key and Indicator

| | |
|---------------|--|
| SW1 button | Control switch state,the state overtned after press |
| SW2 button | Control switch state, the state overtned after press; Long press 3 sceonds to set the master number, long press 8 sceonds reset system(SIG will flash 5 times if reset ok). |
| SIG Indicator | One flash per second means entering the GSM network,One flash in two seconds means entering the 4G network.APP control is allowed only when connected to 4G network. |

III .Settings

1.Insert SIM card

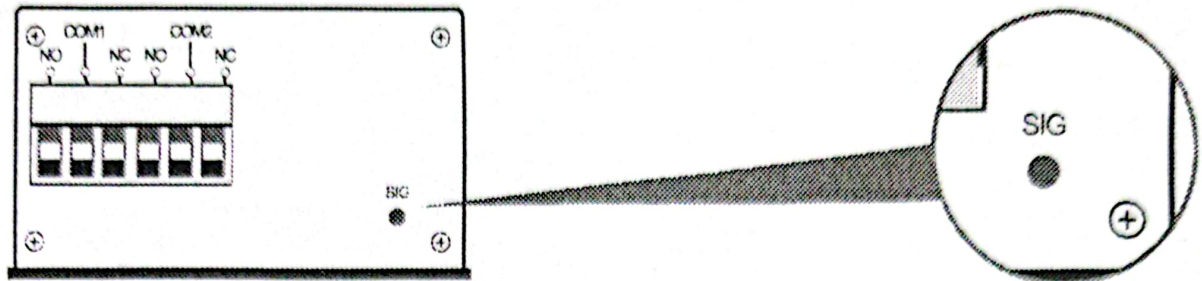
(If SIM card with a PIN code please delete it before insert controller.)



*Insert your SIM card before power on.

2.Connecting the 4G net-work

When connect to GSM network SIG led will flash per 1 second,the SIG turn to flash per 2 second it mean the device connect to 4G network. Tips: SIG led always on, it means no access to the network, please check the installation of SIM card or antenna, sometimes the



3.Set password

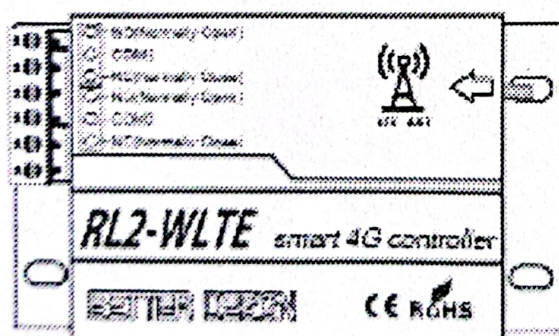
Factory default password of controller: 0000

controller default password is:0000. Password contents 0-9 Arabic numerals(not letters or symbols, otherwise it will prompt an error), Set numbers password command format: SN + password(4 numbers) + NEW + new password.

For example, customers want to set their password to be "1234", then he should edit the message content: "SN0000NEW1234" issued to controller, if you set successfully, you will receive the message:" NEW SN SETOK NEW SN IS 1234 (New password)." The password is equipped with the memory function.

4.Set & Delete & Check master numbers (Up to 20 groups)

4.1. SET command (setting master number by SMS)



SMS
⇄
Receive the SMS
from controller



5.Set & Delete & Check master numbers

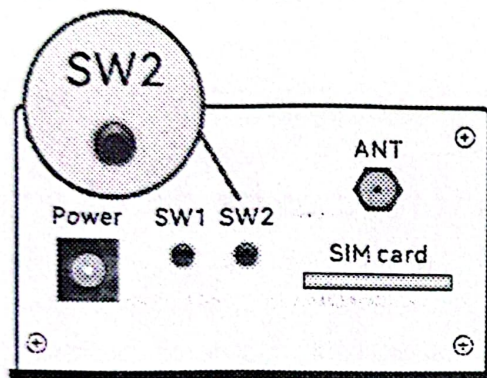
(Up to 20 groups)

5.1. SET command (setting master number by SMS)

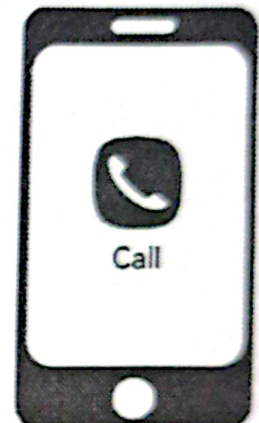
For example, password is 0000, customers want to set 1378 8889999 to be NO.09 master number, and then edit the message content: "SN0000SET09#1378888889999" issued to controller, if you set it successfully will receive a message: "09 number is: 13788889999". controller can only be controlled by the master numbers.

5.2.Dial setting master number

e.g. Press the for 3 seconds SW2 button, and then SIG led will fast flash for 50 seconds, during this time which number dial controller, controller will automatically hang up the dial phone, and then the dial number will become master numbers.



Call controller
number
↔
Controller
automatically hang



5.3.DEL and DELALL command (delete master numbers by SMS)

For example: when you need to delete the NO.09 master number, edit the message: SN0000DEL09. receive the device reply message: 09 number delete. the NO.9 number has been deleted.

DELALL: when you want to delete all master numbers, you can edit: SN0000DELALL.

then you will receive: ALL numbers delete

5.4.CNK command (check master numbers by SMS)

e.g:you can send: SN0000CNK09 to check NO.9 master number of controller.then you will receive: 09 number is 13888889999

6.How to control 4G Controller: SMS/Dial/Button

6.1.SMS control

ON/OFF/COM command. L command. OTG command

① ON Command turn the relay status to ON

SN+PASSWORD+ON

e.g. Send: **SN0000ON**; then receive: **STATUS IS ALL ON**;

② OFF Command turn the re lay status to OFF

SN+PASSWORD+OFF

e.g. Send: **SN0000OFF**; then receive: **STATUS IS ALL OFF**;

③ COM command (control the status of each path controller)

Control code Description: N means on, F means off, X means ignore

SN+password+COM+control code

e.g. If you want 1th channel ON, 2th channel OFF, you send:
SN0000COMNF,

then receive: **SW1 IS ON; SW2 IS OFF;temp is: + 24.7C**

④ Lcommand(set the trigger time for each channel)

SN + password + L+ 01 + T + length (length : 1-1000(seconds))

e.g. device trigger time set to 3 seconds, now you edit:

SN0000L01T0003,Received device reply: **01 time is 0003 seconds.**

e.g. device trigger time set to 50 seconds, now you edit:

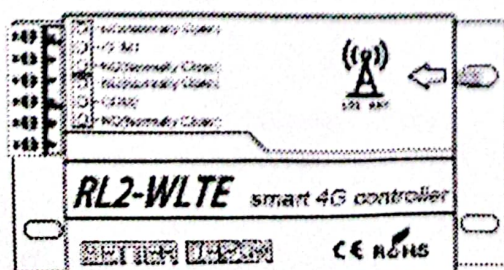
SN0000L01T0050,Received device reply: **01 time is 0050 seconds.**

⑤ OTG command (trigger by SMS)

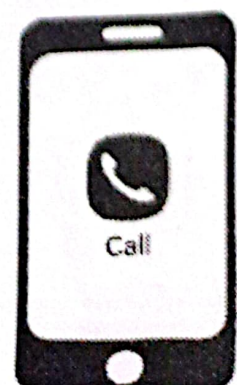
SN+password+OTGCC

e.g. when you need to trigger device, edit: **SN0000OTGCC** and receive: **STATUS IS trigger.**

6.2.Dial control



Call controller
number
⇄
Controller
automatically hang



After setting the master number by SMS(if without master number,the controller can not be controlled by dial), you can control device by dial.e.g if device is off now,when you call the controller, device ,will turn to on and hang up.

If you want trigger by dial .you need TXO command. send: **SN0000TXO**,receive: **JOG FUNCTION IS ON**.

e.g if device is off now, when you call the controller, device trigger (turn to on some time and turn to off) and hang up.

Use TXC command you can return to default mode. send: **SN0000TXC**, receive :**JOG FUNCTION IS OFF**. This mode is default.

If you want to receive a feedback SMS from controller when you dial control. you can send **SN0000CBO** to activate this function.

send: **SN0000CBC** to close the feedback SMS by dial.

6.3.Button control:

Short press SW keys can change device status. e.g. device is ON, when you press SW, the status will change to OFF, press again and turn to ON.

7.KT command

(set the phone number length of feedback SMS)

The KT mode is closed in default. When you can not receive the feedback SMS in some situations.

Try to set KT mode to solve this problem.

SN+password+KT+length of country code+S+country code+L+length of number

country code:For example, France country code is 33;

Russian country code is 7. Length of phone number in France is 9 e.g 646370491. Length of phone number in Russia is 10

e.g 9177022528.

Example 1(in France): if you set the country code to 33, then **SN0000KT2S33L09**, if 0033 then **SN0000KT4S0033L09**

Example 2 (in Russia): if you set the country code to 7, then **vaSN0000KT1S7L10**, if 007 then **SN0000KT3S007L10**

If you receive feedback SMS: **SET OK**, your setup is successful.

If you want to close this mode, send: **SN0000KTC**, then you will receive: **KT MODE IS CLOSE**

8.How to set SMS feedback when power on or off:

*** only for RL2-WLTE-EC**

SN+PASSWORD+DL+O/C [O is letter]

Cancel SMS feedback: SN0000DLC [Default function]

If you want receive a feedback SMS after power on or off. you can send: **SN0000DLO**, receive:

REMINDED NUMS:

1:+8613099999999;2:+8615899999999;3;;4:

Power on reminder SMS: equipment is powered on.

Power off reminder SMS: equipment is powered off.

9.PAM/PAF Command(Relay memory choose when power on)

PAM(power again memory) is factory default:Power again the relay remains in the state before the power off.

PAF(power again OFF) :Power again the relay always forced to be off.

send:**SN0000PAM**,receive:relay power down memory has been activated.

send:**SN0000PAF**,receive:relay always forced to be off when power on.

Use WLTE control APP to control device

Operation process: If the SIG is flash every 2 seconds, it indicates that the connection to the 4G network is successful. You can use the APP to add devices. If the SIG light always flashes every second, then we need to set the APN to make the device connected to the network. Only in this way can we use APP to control it.

1.What is the APN and how it work?

APN is Access Point Name,the APN must to be set OK first when you want to access the network serve in some country.

2.What is the factory default APN

The default APN is internet,user and password are empty. (APN:internet user: password:).When you send CHECK SMS

The default APN is internet,user and password are empty.
(APN:internet user: password:).When you send CHECK SMS
command to device,you will receive: apn:internet user: pass: ;

3.If the factory APN didn't match in you country,how to set it OK?

Command format: SN+password+APN+length of APN=APN
content,length of user=user content,password length =password
content.

e.g.

APN: datelo.com.br

user: algar

password: 12345

edit: SN0000APN13=datelo.com.br,05=algar,05=12345 send to
the device, then you will receive: APN:datelo. com.br user:algar
pass:12345. that means you set APN is OK.

e.g.

APN:cmnet

user: (empty)

password: (empty)

edit: SN0000APN05=cmnet,00=0,00=0 send to the device, then
you will receive: APN:cmnet user: pass: , that means you set APN is
OK.

4.How to set three parameters to be null?

You can edit SMS:SN0000APN00=00,00=0,00=0.send to device and
will receive: apn: user: pass: ;

5.How to judge device connect 4G network successfully?

One flash in two seconds means entering the 4G network.APP
control is allowed only when connected to 4G network.

6.How to download APP?

The APP name is WLTE control.You can search it in Play Store if
use an Android phone.The iphone users can easily find it in the Apple
Store.

In addition, you can also download the APP through the QR code
provided by us, or directly copy the URL to the browser to download
the APP.

7.What is the password to add devices using the app?

The default password for adding devices to the app is **1234**