



DIN-Rail Mount, PC/IP Interface and 3rd Party Integration RS-232 & RS-485. This Module is multi Purpose, it can be used for programming S.BUS, and a bridge between computer Smart-BUS network, can also be used as network bridge in the big projects with thousands of devices. It is the Touch Screen to SBUS bridge. Same device is used for 3rd Party Integration. Can send more than 1980 ASCII and/or Hexadecimal Command with 50 ASCII Character Message Length for more flexibility. 2 way communication that can receive up to 99 ASCII,HEX string commands to do up to 20 different commands for each message received Fixed ASCII S-BUS Protocol with Send Command Delay option Adjustable baud rate  
 The new IPL is like no other: Control your systems from anywhere using 3G/Wi-Fi/LAN/WAN/Web, Secure & Password Enabled, Built-in Logic & Security Functions, TCP/UDP/DHCP/RS-232/ RS-485 Enabled, Watch Dog

**technical data**



**IP Compatibility**  
 Compatible with all LAN data switch types, all WiFi routers.

**Compliance**  
 CE Mark EMC  
 CE Mark EMC  
 ROHs  
 UL Listed Relays Inside



**Protocols**  
 • Advanced S-BUS  
 • RS-232  
 • RS-485  
 • TCP/UDP/DNS/DHCP

**Operation Protection**  
 • BUS Rv. Polarity Protection  
 • BUS Short Circuit Protection

**RS baud rates**  
 work in all baud rate: 2400, 4800, 9600, 14400, 19200, 38400, 57600, 115200 bps  
 ASCII and HEXADECIMAL

**Trigger Conditions**  
 Logical trigger or command conditions consist of trigger combinations like: time, scene Light channel status, curtain status, room temperature, security mode, day, night, flag...etc.

**String Commands**  
 • 50 Characters ASCII Length  
 • Can Send 1980 Commands  
 • Can receive 99 commands  
 • Each Rcvd. command can execute 20 functions with delay

**Operation Protection**  
 • BUS Rv. Polarity Protection  
 • BUS Short Circuit Protection

**Time Clock**  
 Built in time clock with central Broadcast function.  
 DTS day time adjustment  
 Muslim 5 Prayer Times function according to city Long and Lat.

**Added IP functions**  
 • LAN IP Getting: Via DHCP/Static  
 • Server IP Getting: Via DDNS  
 • Remote management  
 • Intelligent data interchange to minimize the data flux

**Logic Lines**  
 Total 960 logic lines: 240 Tables, each 4 Logic lines.

**SBUS DC Supply**  
 24VDC with flexible tolerance between 8-32VDC. Flexible ability to add power supply as to be needed any where  
 Power consumption: 15mA

**Logic Commands**  
 Simplified logic commands like: (if, or, nand, nor +255 Flags)

**Upgrade IO**  
 Upgrade via Ethernet port(RJ45), no need to connect any special upgrade tool

**Installation**  
 • 35mm DIN-Rail Mount Ready  
 • Wall Mount Ready (4P)

**User Controls**  
 • LED status indicator/channel  
 • Diagnostic LED+ BROADCAST

**Operating Environment**  
 0° to 45°C ambient temperature  
 20% to 93% RH

**Programming**  
 • Advanced Software Configuration & Programming

**Enclosure & Size**  
 Polycarbonate, DIN-rail (4 Unit)

**Dimensions & Weight**  
 W 91mm x L 73mm x H 75mm  
 Packed weight 0.22 kg

**control compatibility**



• lighting • DVD's • Media • Curtains • Security  
 • Music • Lifts • Projector • Access • Fire  
 • Weather • HVAC • TV • RFID • W-BUS



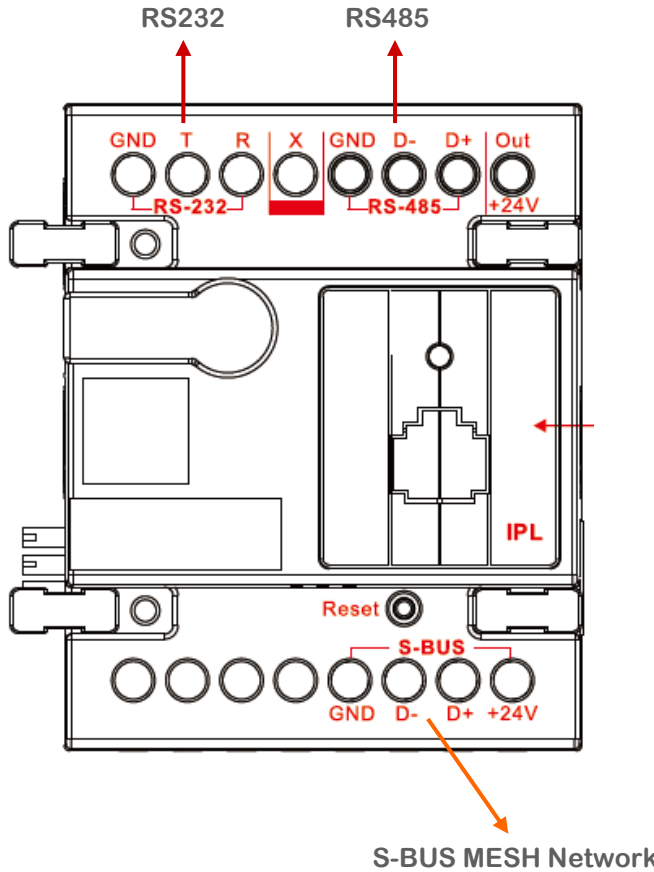
**commercial**



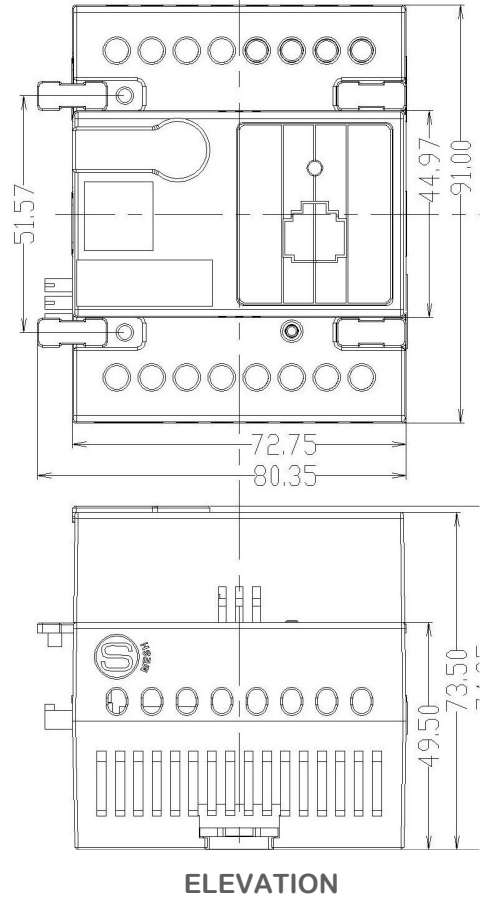
**GTIN (UPC-EAN):**  
 Patent P. No: 201110123081.0



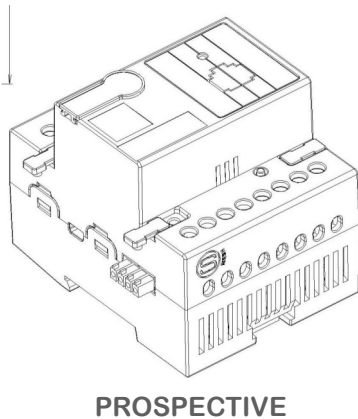
**connection diagram** G4



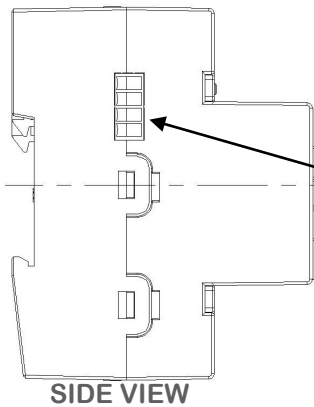
**mounting dimensions** G4



**ELEVATION**

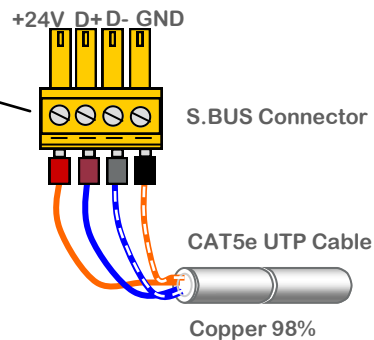


**PROSPECTIVE**



**SIDE VIEW**

**S-BUS connection** G4



**UTP core colors** G4

|            |  |          |
|------------|--|----------|
| S.BUS +24V |  | orange   |
| S.BUS GND  |  | w/orange |
| S.BUS D+   |  | blue     |
| S.BUS D-   |  | w/blue   |
| Spare      |  | green    |
| Spare      |  | w/green  |
| Spare +12V |  | brown    |
| Spare -12V |  | W/brown  |



www.smarthomebus.com • info@smarthomebus.com  
USA - Germany - Denmark - Hong Kong - Jordan - China - UAE

SB-G4 Data Sheet Rev 2.0 released Dec.2012

Specifications subject to change without notice. © Smarthome® -Group Trading as Smart-BUS®, Texas 77043 - USA. All rights reserved. Smart Mesh®, Smarthome BUS® and all other associated logos are the registered trademarks of Smart-Group® . Not to be used nor reproduced without written permission. All Patents and IPO's Remain owned by SmartHome® Group

