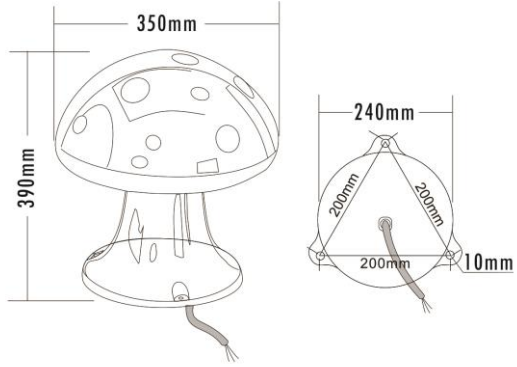


Landscape Garden Speaker

T-500H



Model	T-500H
Power Taps @100V	12W, 25W
Power Taps @70V	6.5W, 12.5W
Impedance	Black: Com White: 800Ω Green: 400Ω
SPL(1W/1M)	95dB
Frequency Response (-10dB)	120-15KHz
Finish	Organic resin
Speaker Driver	4"
IP Rate	IP x 6
Cutout Size	200 x 200 x 200mm
Dimensions(mm)	H:390
Weight	4.9Kg