



Standard

Comply with ANSI/EIA RS-310-D, DIN41497 part 1, IEC297-2, DIN41494 part 7, GBIT3047.2-92 standard.

Feature

19 inch standard;

Removable Side Panels, side locks optional;

Knock off hole for entering cable on both top cover, bottom panel,real panel

Turning angle of front door is over 180 degrees

Easy mounting installation

Unassembled package saving shipping space

fans, shelf, PDU are optional

Loading Capacity

80KG

Degree of Protection

IP20

Material

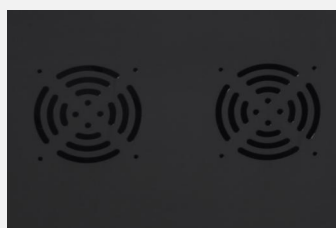
SPCC Cold Rolled Steel

Thickness:2.0mm-1.2mm-0.8mm

Surface Finish:

Powder coating

Cabinet details



Fan exhaust hole



Fan unit optional



Removable side panels
(Side lock optional)



Cable entrance on rear panel

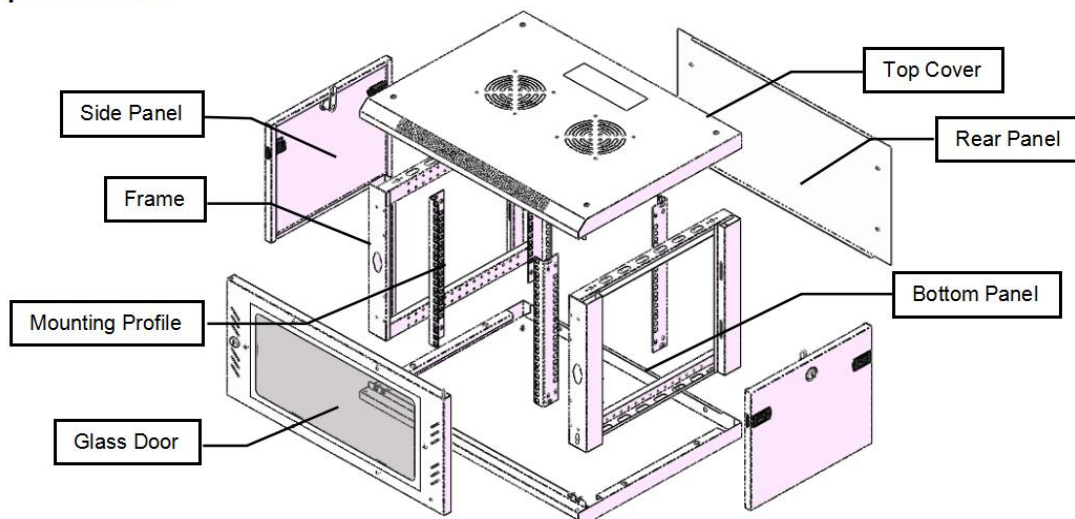


Front tempered glass door
with metal perforated border

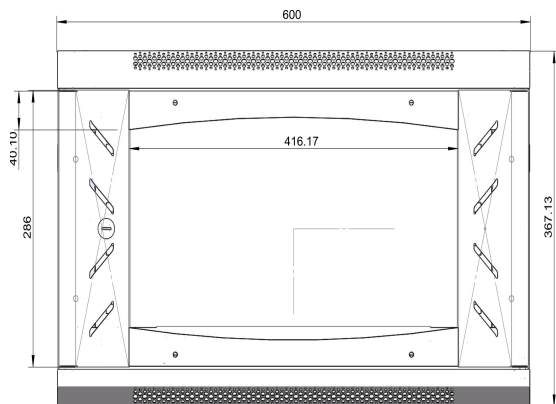


Zinc plated mounting profile
(Ground wire optional)

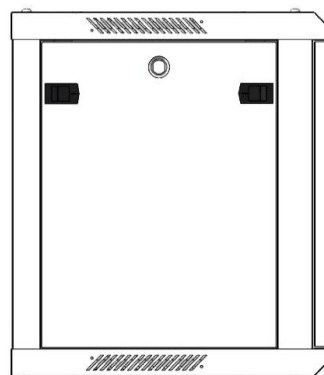
Exploded-View



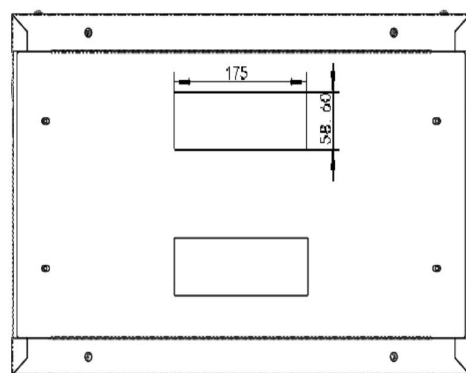
Main dimension



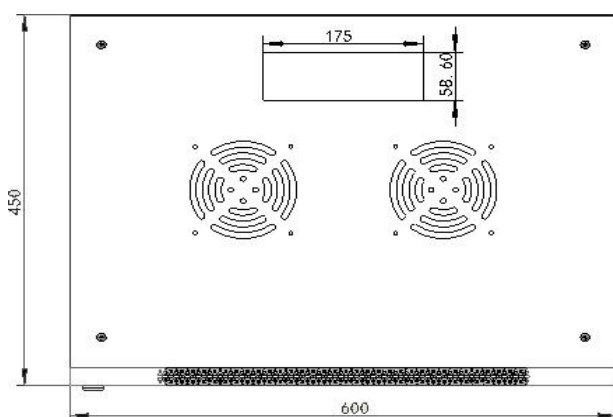
Front view
(Toughened glass)



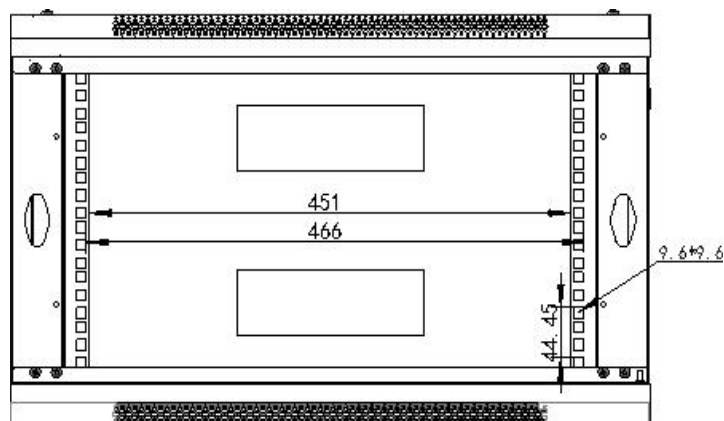
Side view



Back view



Top view



Inside view

Main Parts

S/N	Specification	Quantity	Unit	Material	Surface Finish	Remark
1	Mounting profile	4	Piece	Coated Zinc plate	Coated Zinc	with U mark
2	Frame	2	Piece	SPCC cold rolled steel	Powder coated	
3	Side panel	2	Piece	SPCC cold rolled steel	Powder coated	
4	Top cover	1	Piece	SPCC cold rolled steel	Powder coated	
5	Bottom panel	1	Piece	SPCC cold rolled steel	Powder coated	
6	Rear panel	1	Piece	SPCC cold rolled steel	Powder coated	
7	Front door	1	Piece	5MM toughened glass door/SPCC t1.0	Powder coated	
8	Lock	1	Piece	Steel	Color Zinc	with 2 keys
9	M6 Square nut	12	Piece	Steel	Color Zinc	
10	M6 B-head screw	12	Piece	Steel	Color Zinc	
11	Allen wrench	1	Piece	Steel	Color Zinc	

Specification

Model No.	Capacity	Width	Depth	Height	Packing dimension	Volume
	(U)	(mm)	(mm)	(mm)	(mm)	(CBM)
WM.6404	4	600	450	280	635*485*160	0.049
WM.6604			600		635*635*230	0.093
WM.6406	6	600	450	368	635*485*160	0.049
WM.6606			600		635*635*230	0.093
WM.6409	9	600	450	501	635*485*235	0.072
WM.6609			600		635*635*231	0.093
WM.6412	12	600	450	635	665*595*236	0.093
WM.6612			600		665*635*231	0.098
WM.6415	15	600	450	769	635*940*98, 802*460*132	0.137
WM.6615			600		635*757*236	0.113
WM.6418	18	600	450	901	635*940*98, 935*460*132	0.137
WM.6618			600		935*630*236	0.139

Color

RAL9004

RAL7035

black

grey

