

DATASHEET UD105

EAE KNX Universal Dimmer

All you need is EAE



General Description



EAE KNX Universal Dimmer Actuator has 5 independent outputs. Maximum switching voltage is 260V and maximum current is 1,6 A for each channel. Dimming functions can be used by phase dimming only. The device can be operated manually via push button on it. Each channel can be programmed via ETS4 or above.

Channel features of dimming actuator;

- Staircase lighting
- Forced Operation
- Channel Grouping (merging outputs for high power lamps)

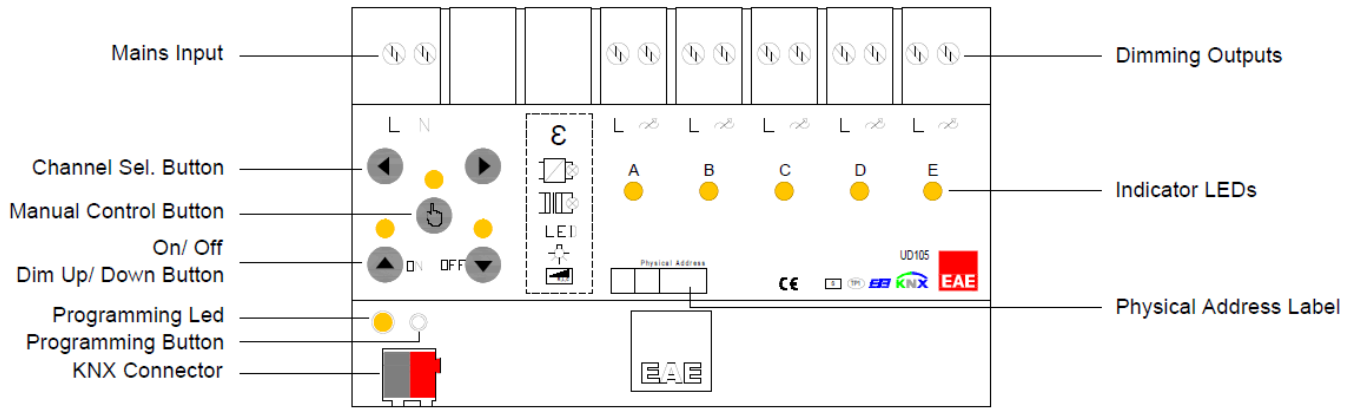
All features can be used separately or together. Please consider that those features will be processed depending on priority. Bus voltage fails and returns behavior can be set via ETS configuration.

Technical Data

Type of protection	IP 20	EN 60 529
Safety class	II	EN 61 140
Power supply	- Voltage	21V... 30V DC, SELV
	- Current consumption	< 10 mA
External supply	---	
Connections	- Screw terminals	0,5...4 mm ² solid and stranded wire 0,5...3,31 mm ² stranded wire with ferrule
	- Max. tightening torque	0.5 Nm
	- KNX	Bus connection terminal
Output	- Switching & Dimming	5 outputs, Triac output
	- Cable length	Max. 200 meters
	- Max. switching power	300 VA per channel 300 W halogen, incandescent lamps per channel 300 W Inductive transformers per channel 250 W Phase-cut dimmable LED lamps per channel Multiplying the output power by parallel connection of channels. Lifetime
	- Mechanical life	
Type of contact	- Electronically controlled	
Installation	- 35mm mounting rail	EN 60 715
Operating elements	- LED (red) and button	For physical address programming
Temperature range	- Ambient	-10° C + 50° C
	- Storage	-25° C + 55° C
	- Transport	-25° C + 70° C
Humidity	- Max. air humidity	85 % no moisture condensation
Dimensions	Width W in units	66 x 180 x 90 mm 8 modules
Weight	0.24 kg	
Box	Plastic, polycarbonate, color grey	
CE	In accordance with the EMC guideline and low voltage	
Application program	Communication objects	Number of addresses(max) Number of assignments(max)
	102	255 255

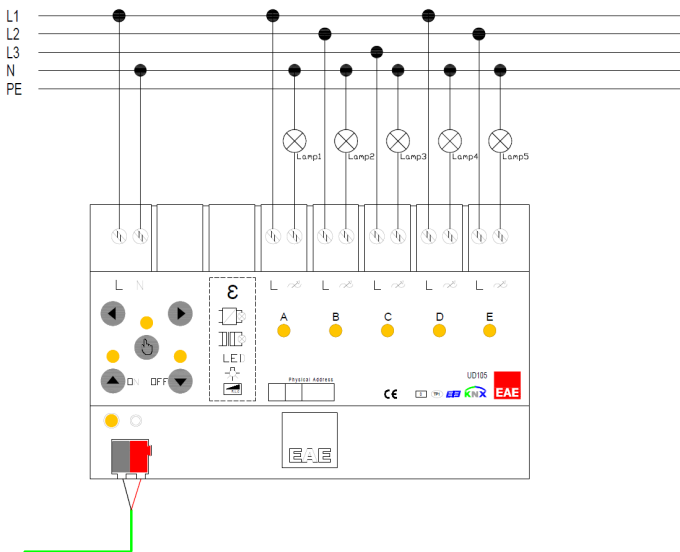
NOTE: Device default physical address is 15.15.255. In order to configure switch actuator, ETS application file ".knxprod" is needed. It's possible to download the file on EAE website. ETS is required for programming the device. Parameter settings and related group addresses can be changed by ETS. Learn more by reading ETS help file.

Functional Elements and Connections

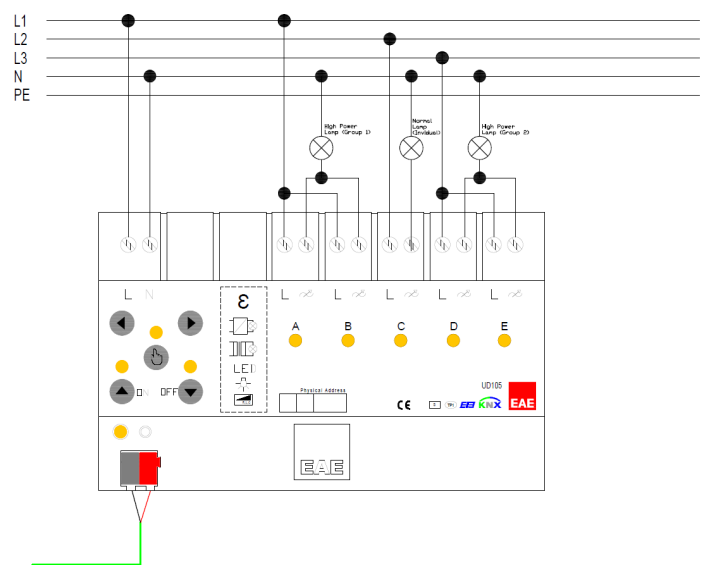


Connection Diagram

Single Channel Control



Grouped Channel Control





Technical Drawings

