

Datasheet ORIA Switches

EAE ORIA DALI Switch Series

All you need is EAE



General Features

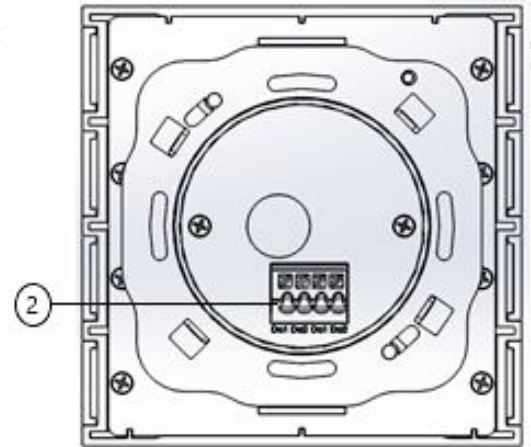


- Device power supplied via DALI line
- Independent configuration for each button
- Different color options
- Available in 1 to 12 buttons (6 folds) configurations
- Easy mount into 60x60 mm standard switch junction boxes
- Optional status LEDs
- Compatible with relative DALI-2 standards
 - **Control device (IEC 62386-103)**
 - **Push button (IEC 62386-301)**
 - **Status feedback (IEC 62386-332)**

Technical Data

Protection Grade	IP 20	EN 60529
Safety Class	II	EN 61140"
Operating Voltage	Voltage Current drawn from bus	12V... 22V DC, via DALI bus <7mA
Connections	DALI	Terminal Connection
Operating Temperature	Ambient Storage	-5° C + 45° C -25° C + 55° C
Humidity	Max. Air humidity condensation	95% no moisture
Dimensions	Front Side SideSurface mounted part SideFlush mounted part	90 x 90 mm 8.5 mm 29.5 mm
Weight	73 g	
Material	Plastic, polycarbonate	
CE	"In accordance with the EMC guideline and low voltage"	

Functional Elements and Connections



1. Button groups (1-6 fold) (extendable to 6 folds)
2. DALI terminal inputs

Technical Drawings

