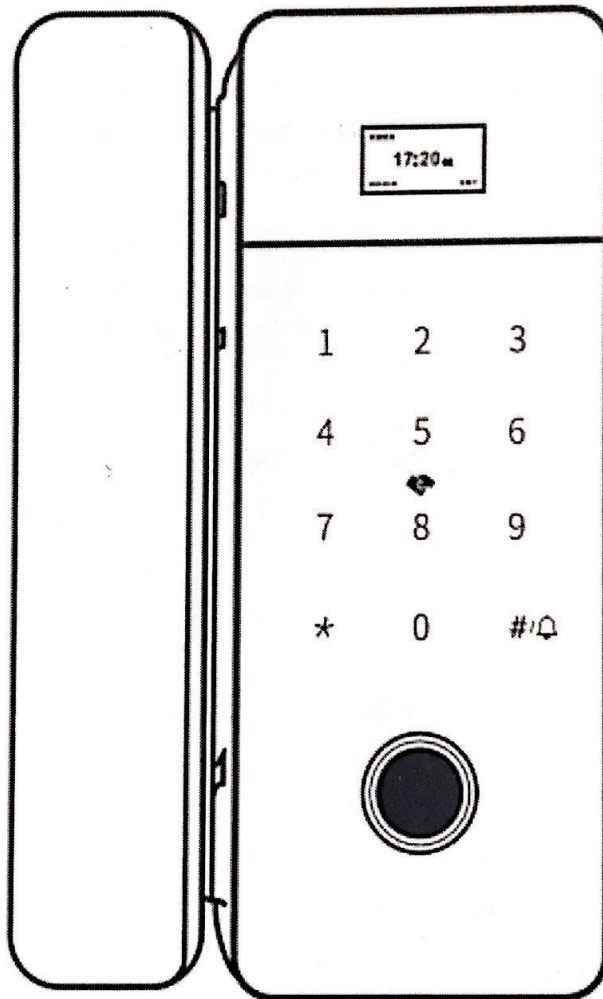


# Glass door intelligent fingerprint lock

## The manual



Keep this manual for reference at any time. Please read it carefully before installation

# PREFACE

Thank you for choosing our glass door intelligent lock products

Glass door lock is a series of high-tech products introduced by the company. It is a safe and reliable product. Efficient energy saving, sensitive operation, convenient installation, intelligent management of multi-functional door lock. This manual describes the installation, configuration and usage of related products and related protocols.

Glass door lock is a series of high-tech products introduced by the company. It is a safe and reliable product. Efficient energy saving, sensitive operation, convenient installation, intelligent management of multi-functional door lock. This manual describes the installation, configuration and usage of related products and related protocols.

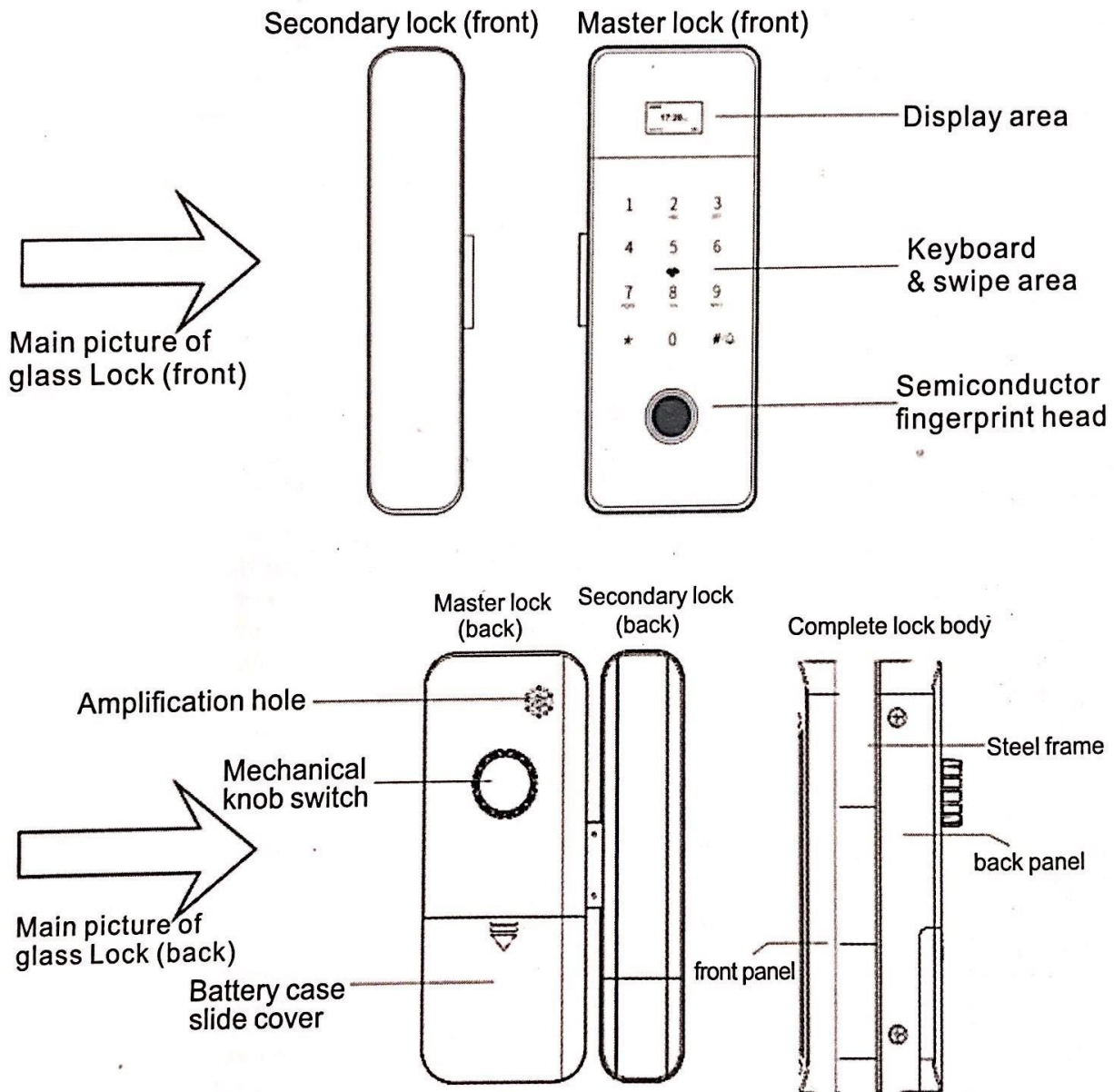
If you fail to operate according to the instructions of the product manual, forcibly disassemble, or let non-technical personnel repair, change the product, the resulting damage and property loss, and our products have nothing to do with.

In order to give you a better experience, we will optimize and upgrade related products. If some information is different due to this, please refer to the actual parameters.

If you find that the actual situation in the use of this product is not consistent with this manual, or you have other questions to consult, you can directly to our after-sales department feedback. You are welcome to provide valuable advice and intimate guidance.

We sincerely invite you to take an active part in the product user experience survey, thank you for your strong support for our products, this will take you to quickly understand the product.

## Lock body diagram



## Technical parameters

- Language support: Chinese/English system
- Menu display: Hd OLED display hierarchical managed menu
- Unlocking mode: fingerprint, password, swipe card, remote control (optional), mobile phone small program
- Collector: semiconductor acquisition module
- Card reader type :IC card
- Operating voltage :4 1.5V alkaline batteries
- Working current: dynamic power consumption <math>\leq 200\text{mA}</math>, static power <math>\leq 55\ \mu\text{A}</math>
- Operating temperature :  $-25^{\circ}\text{C} \sim +65^{\circ}\text{C}$
- Ambient humidity :5 ~95%RH(no condensation)

- Applicable door thickness :10~12mm
- Emergency interface: USB(interface voltage DC5V)

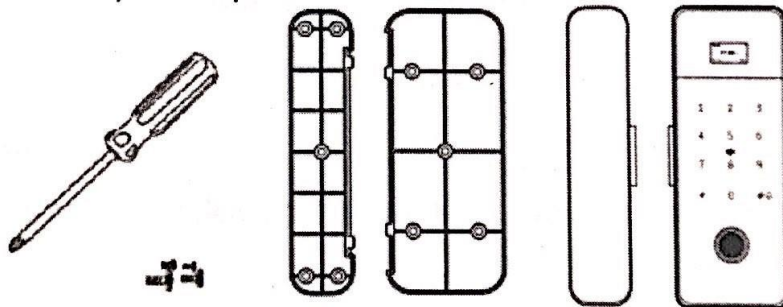
## ■ Matters needing attention

- 1, please do not let water, drinks and other liquid components into the product interior; do not use acid substance to clean the door lock.
- 2, please do not completely expose the door lock to the outdoor, avoid strong light exposure and rain erosion.
- 3, please do not use sharp objects to scrape or beat the door lock.

## ■ Installation management

### ■ Installation steps

- Prepare a screwdriver before installing the double door. Auxiliary accessories (ground insert) are required.

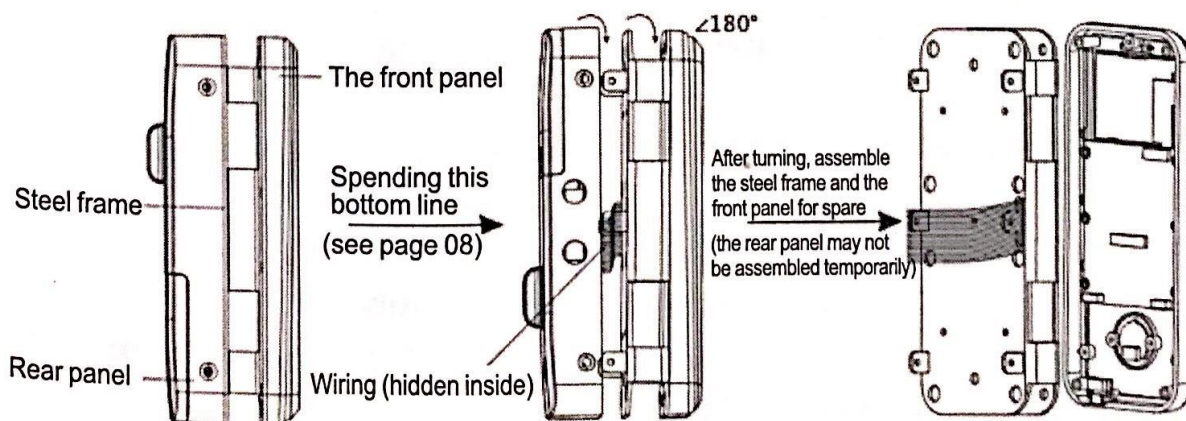


The screwdriver    screw    Fixed strap    Deputy lock    Master lock

Select the appropriate installation position of the smart lock, and clean the surface of the position at the same time (the surface should be flat, no ash layer, water drops, etc.).

- If the actual installation direction is not the default direction of the product (the product is left open by default, so you can skip this step when it corresponds to your installation direction), you need to turn the steel frame and rear panel of the lock body 2180

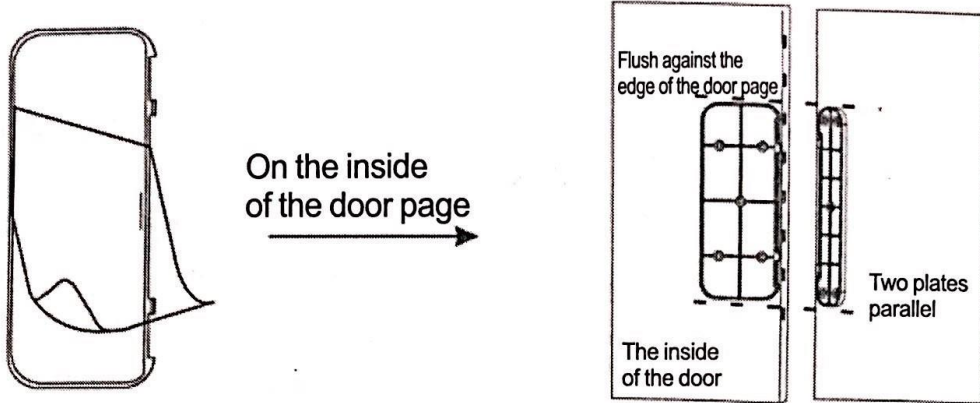
- Secondary locks are the same as primary locks, with primary locks as columns:



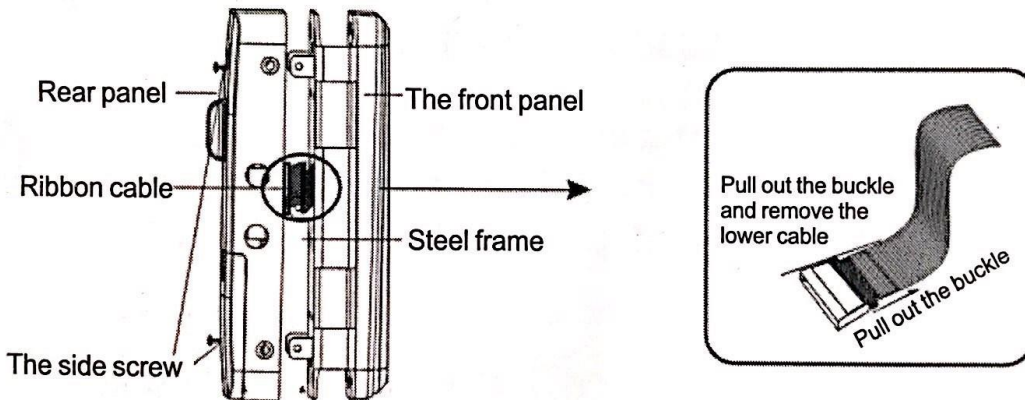
Remarks When unscrewing the screws on the rear panel, remove the cables connected to the rear panel before performing subsequent operations.

Take out the fixed sticking board, remove the protective paper, and stick it on the inside of the door page flush with the edge

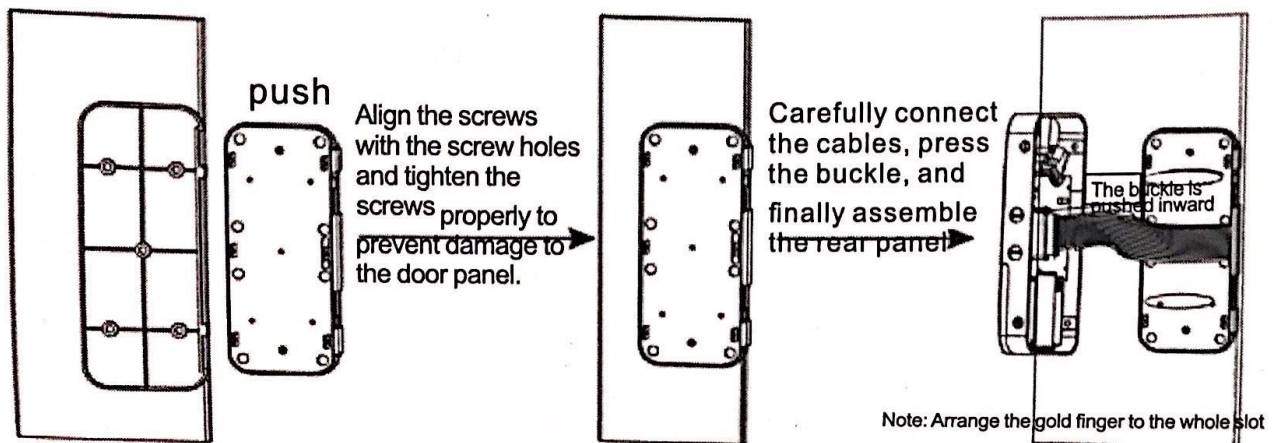
Note: the position of the main and secondary lock stickers must be aligned. You can mark on the door page before attaching the fixing plates.



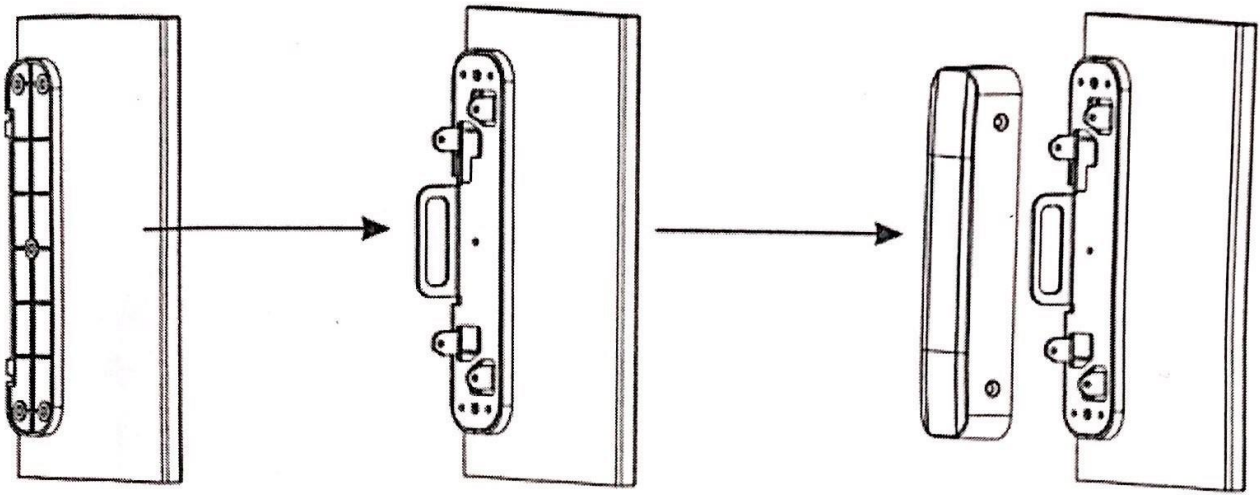
Take out the fixed sticking board, remove the protective paper, and stick it on the inside of the door page flush with the edge. After the board is aligned, the lock body is installed. First unscrew the screws on the side of the lock body to remove the rear panel. There is a cable connection between the front panel and the rear panel of the main lock, and the cable can be disassembled:



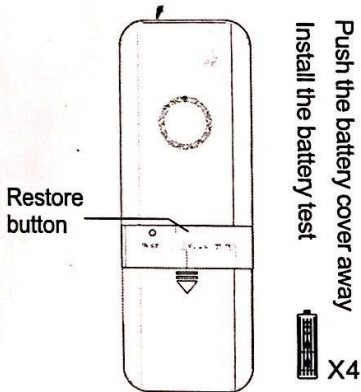
Take out the fixed sticking board, remove the protective paper, and stick it on the inside of the door page flush with the edge. Note: hold the rear panel with your hands when unscrewing the screw, and remove the rear panel after removing the lower cable. Take out the fixed sticking board, remove the protective paper, and stick it on the inside of the door page flush with the edge. Clamp the door page and paste board with the U-shaped slot of the steel frame, screw up, connect the wire, and finally reinstall the rear panel. Note: Align the screw holes and tighten the screws with appropriate force to prevent damage to the door panel by excessive force. Connect the cables carefully, press the buckle, and finally assemble the rear panel and tighten the screws.



Secondary lock similarly installed, refer to the following figure



## ■ Install and test the battery



Test: After installing the battery, touch the button on the screen (touch to wake up) to see if there is a reaction.

1, open the battery cover and check the battery (A).B Whether battery "+" "-" corresponds;C Whether the battery is loose or offset.)

2 Remove the rear panel of the main lock and check the cables. (Cable A is loose or loose, and cable B is improperly inserted. Whether the gold fingers on both ends of row C are damaged).



After the test is completed, you can open the comfortable experience of this smart lock product.

## Setting and usage

Tap to wake up the keyboard and hold down \* to enter the setting menu. The factory experience mode can directly enter the setting menu. After registering the administrator, you need to confirm the fingerprint of the administrator before entering.

(Note :# is the confirm key, \* is the return key, there is no arrow key, the number in front is the select key)

### 1. Add a Super Administrator (6-digit password)

Administrator Settings → input super administrator → to enter twice can be successful

### 2. Second, add the administrator (fingerprints, password, remote controls, card set separately)

Administrator Settings → Input administrator → Input password type

Fingerprint: to collect five times can be recorded successfully

Password: Enter twice to succeed

Swipe card: swipe on digital keyboard can input success

3. Add users (fingerprint, password, remote control and card can be set separately)

Common user Settings → Input common user → Input password type

Fingerprint: to collect five times can be recorded successfully

Password: Enter twice to succeed

Swipe card: swipe on digital keyboard can input success

4. Modify a user/common administrator

The super administrator can modify the administrator/common user, enter the number of the administrator/user to be modified, edit the modified information, save the modification, and exit (the common administrator has no permission to modify the common administrator, but can modify the common user).

5. Delete a user/administrator

The super administrator can delete an administrator/user, enter the number of the administrator/user to be deleted, and select the operation to delete (the administrator has no permission to delete administrators, but can delete common users).

6. Restore factory Settings

Administrator Settings -4 Restore factory Settings →\* Exit # Confirm

7.VII. System Settings (you can set the time, voice volume, locking time and restoring factory Settings)

1, time Settings → input time

2, Language/Voice Settings Volume Settings: 2 to increase the volume, 8 to reduce the volume,# to turn off the voice. Language Settings: 1.English, 2. simplified Chinese

3. Lock mode setting

1 Verification mode →1. Single unlocking, 2. Combination unlocking

2. Normally on mode →1 normally on has been opened, 2 normally on has been closed

3. Lockback time -2 indicates the increase time, and 8 indicates the decrease time

4. Anti-camera alarm -1 anti-skid has been closed, 2 anti-skid has been opened

8.Viii. Data statistics and records

1, unlocking records - 1 query by time, 2 query by number

2, data statistics → password 000 fingerprint 000 card 000 remote control 000

3. Version → System version: H01S0109P013

## Functional details

System management	and hold down the "*" key for about 3 seconds to enter the main screen of the system
Password management	The total number of input groups is 1000
Password management	The total number of input groups is 1000
Card management	The total input was 1000 groups
Fingerprint capacity	100
Record capacity	Article 10000.
Normally open set	Enter the menu, system Settings, lock mode Settings, normally open Settings
safety protection	If incorrect passwords are entered for five consecutive times, the system will be locked for one minute
Power monitoring	Upper right corner power display, low power voice reminder
The emergency power supply	DC5V External power supply (similar to the data cable of installed mobile phone)
voice navigation	Bilingual in Chinese and English, whole-journey voice navigation

- Configuration list: official standard (main lock + secondary lock + mounting sticker + screw pack + instruction manual + packaging box); Optional accessories (side strip [used for single-page door, installed in door frame], remote control).  
Troubleshooting:

### ■ Troubleshooting:

Can't read fingerprints	1. Dry, wrinkled or damaged skin 2. The collection surface is not clean 3. fingerprint head scratching damage or other	1. Reset a clear fingerprint 2. Clean the surface with a dust-free cloth 3. Contact sales department for maintenance and after-sales application
Cannot lock automatically	1. the primary lock and secondary lock are not flush 2. The normal mode is enabled	1. Calibrate the door page and align the lock tongue with the hole 2. Turn off the normally open mode
The functions do not respond	1. The battery is exhausted 2. others, I can't tell others, I can't tell	1. Use the emergency power supply to replace the battery in time 2. Contact the vendor