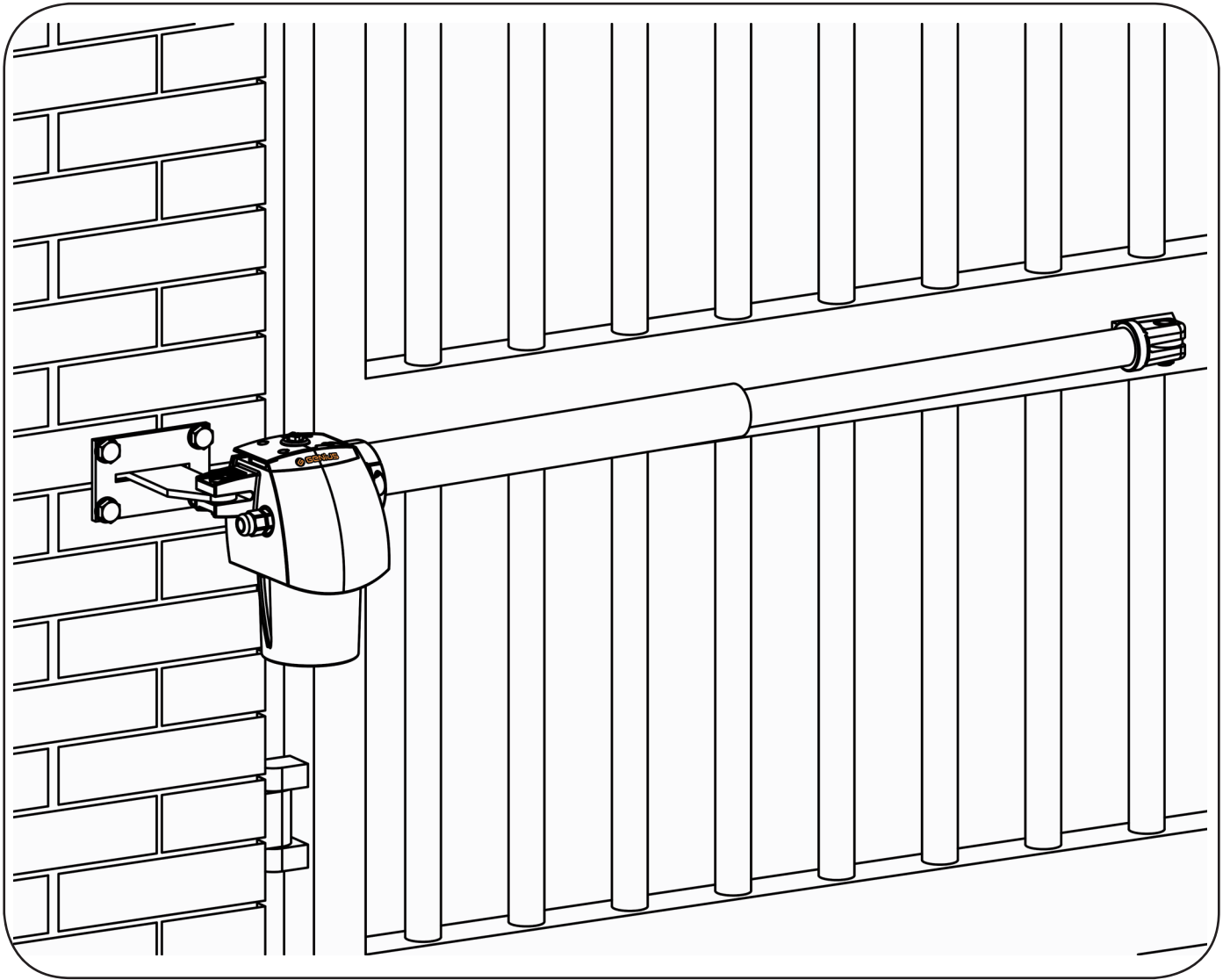


# G - BAT




**GENIUS<sup>®</sup>**

**COMPANY  
WITH QUALITY SYSTEM  
CERTIFIED BY DNV  
= UNI EN ISO 9001/2000=**

**CE**

# ITALIANO


## AVVERTENZE PER L'INSTALLATORE OBBLIGHI GENERALI PER LA SICUREZZA

 **ATTENZIONE!** È importante per la sicurezza delle persone seguire attentamente tutte le istruzioni. Una errata installazione o un errato uso del prodotto può portare a gravi danni alle persone.

1. Leggere attentamente le istruzioni prima di iniziare l'installazione del prodotto.
2. I materiali dell'imballaggio (plastica, polistirolo, ecc.) non devono essere lasciati alla portata dei bambini in quanto potenziali fonti di pericolo.
3. Conservare le istruzioni per riferimenti futuri.
4. Questo prodotto è stato progettato e costruito esclusivamente per l'utilizzo indicato in questa documentazione. Qualsiasi altro utilizzo non espressamente indicato potrebbe pregiudicare l'integrità del prodotto e/o rappresentare fonte di pericolo.
5. GENIUS declina qualsiasi responsabilità derivata dall'uso improprio o diverso da quello per cui l'automatismo è destinato.
6. Non installare l'apparecchio in atmosfera esplosiva: la presenza di gas o fumi infiammabili costituisce un grave pericolo per la sicurezza.
7. Gli elementi costruttivi meccanici devono essere in accordo con quanto stabilito dalle Norme EN 12604 e EN 12605.
8. Per i Paesi extra-CEE, oltre ai riferimenti normativi nazionali, per ottenere un livello di sicurezza adeguato, devono essere seguite le Norme sopra riportate.
9. GENIUS non è responsabile dell'inosservanza della Buona Tecnica nella costruzione delle chiusure da motorizzare, nonché delle deformazioni che dovessero intervenire nell'utilizzo.
10. L'installazione deve essere effettuata nell'osservanza delle Norme EN 12453 e EN 12445. Il livello di sicurezza dell'automazione deve essere C+D.
11. Prima di effettuare qualsiasi intervento sull'impianto, togliere l'alimentazione elettrica e scollegare le batterie.
12. Prevedere sulla rete di alimentazione dell'automazione un interruttore onnipolare con distanza d'apertura dei contatti uguale o superiore a 3 mm. È consigliabile l'uso di un magnetotermico da 6A con interruzione onnipolare.
13. Verificare che a monte dell'impianto vi sia un interruttore differenziale con soglia da 0,03 A.
14. Verificare che l'impianto di terra sia realizzato a regola d'arte e collegarvi le parti metalliche della chiusura.
15. L'automazione dispone di una sicurezza intrinseca antischiacciamento costituita da un controllo di coppia. E' comunque necessario verificarne la soglia di intervento secondo quanto previsto dalle Norme indicate al punto 10.
16. I dispositivi di sicurezza (norma EN 12978) permettono di proteggere eventuali aree di pericolo da Rischi meccanici di movimento, come ad Es. schiacciamento, convogliamento, cesoiamento.
17. Per ogni impianto è consigliato l'utilizzo di almeno una segnalazione luminosa nonché di un cartello di segnalazione fissato adeguatamente sulla struttura dell'infisso, oltre ai dispositivi citati al punto "16".
18. GENIUS declina ogni responsabilità ai fini della sicurezza e del buon funzionamento dell'automazione, in caso vengano utilizzati componenti dell'impianto non di produzione GENIUS.
19. Per la manutenzione utilizzare esclusivamente parti originali GENIUS.
20. Non eseguire alcuna modifica sui componenti facenti parte del sistema d'automazione.
21. L'installatore deve fornire tutte le informazioni relative al funzionamento manuale del sistema in caso di emergenza e consegnare all'Utente utilizzatore dell'impianto il libretto d'avvertenze allegato al prodotto.
22. Non permettere ai bambini o persone di sostare nelle vicinanze del prodotto durante il funzionamento.
23. L'applicazione non può essere utilizzata da bambini, da persone con ridotte capacità fisiche, mentali, sensoriali o da persone prive di esperienza o del necessario addestramento.
24. Tenere fuori dalla portata dei bambini radiocomandi o qualsiasi altro datore di impulso, per evitare che l'automazione possa essere azionata involontariamente.
25. Il transito tra le ante deve avvenire solo a cancello completamente aperto.
26. L'utente utilizzatore deve astenersi da qualsiasi tentativo di riparazione o d'intervento e deve rivolgersi solo ed esclusivamente a personale qualificato GENIUS o centri d'assistenza GENIUS.
27. Tutto quello che non è previsto espressamente in queste istruzioni non è permesso.

# ENGLISH

## IMPORTANT NOTICE FOR THE INSTALLER GENERAL SAFETY REGULATIONS

 **ATTENTION!** To ensure the safety of people, it is important that you read all the following instructions. Incorrect installation or incorrect use of the product could cause serious harm to people.


1. Carefully read the instructions before beginning to install the product.
2. Do not leave packing materials (plastic, polystyrene, etc.) within reach of children as such materials are potential sources of danger.
3. Store these instructions for future reference.
4. This product was designed and built strictly for the use indicated in this documentation. Any other use, not expressly indicated here, could compromise the good condition/operation of the product and/or be a source of danger.
5. GENIUS declines all liability caused by improper use or use other than that for which the automated system was intended.
6. Do not install the equipment in an explosive atmosphere: the presence of inflammable gas or fumes is a serious danger to safety.
7. The mechanical parts must conform to the provisions of Standards EN 12604 and EN 12605.
8. For non-EU countries, to obtain an adequate level of safety, the Standards mentioned above must be observed, in addition to national legal regulations.
9. GENIUS is not responsible for failure to observe Good Technique in the construction of the closing elements to be motorised, or for any deformation that may occur during use.
10. The installation must conform to Standards EN 12453 and EN 12445. The safety level of the automated system must be C+D.
11. Before attempting any job on the system, cut out electrical power and disconnect the batteries.
12. The mains power supply of the automated system must be fitted with an all-pole switch with contact opening distance of 3mm or greater. Use of a 6A thermal breaker with all-pole circuit break is recommended.
13. Make sure that a differential switch with threshold of 0.03 A is fitted upstream of the system.
14. Make sure that the earthing system is perfectly constructed, and connect metal parts of the means of the closure to it.
15. The automated system is supplied with an intrinsic anti-crushing safety device consisting of a torque control. Nevertheless, its tripping threshold must be checked as specified

in the Standards indicated at point 10.

16. The safety devices (EN 12978 standard) protect any danger areas against mechanical movement Risks, such as crushing, dragging, and shearing.
17. Use of at least one indicator-light is recommended for every system, as well as a warning sign adequately secured to the frame structure, in addition to the devices mentioned at point "16".
18. GENIUS declines all liability as concerns safety and efficient operation of the automated system, if system components not produced by GENIUS are used.
19. For maintenance, strictly use original parts by GENIUS.
20. Do not in any way modify the components of the automated system.
21. The installer shall supply all information concerning manual operation of the system in case of an emergency, and shall hand over to the user the warnings handbook supplied with the product.
22. Do not allow children or adults to stay near the product while it is operating.
23. The application cannot be used by children, by people with reduced physical, mental, sensorial capacity, or by people without experience or the necessary training.
24. Keep remote controls or other pulse generators away from children, to prevent the automated system from being activated involuntarily.
25. Transit through the leaves is allowed only when the gate is fully open.
26. The User must not in any way attempt to repair or to take direct action and must solely contact qualified GENIUS personnel or GENIUS service centres.
27. Anything not expressly specified in these instructions is not permitted.

# FRANÇAIS


## CONSIGNES POUR L'INSTALLATEUR RÈGLES DE SÉCURITÉ

 **ATTENTION!** Il est important, pour la sécurité des personnes, de suivre à la lettre toutes les instructions. Une installation erronée ou un usage erroné du produit peut entraîner de graves conséquences pour les personnes.

1. Lire attentivement les instructions avant d'installer le produit.
2. Les matériaux d'emballage (matière plastique, polystyrène, etc.) ne doivent pas être laissés à la portée des enfants car ils constituent des sources potentielles de danger.
3. Conserver les instructions pour les références futures.
4. Ce produit a été conçu et construit exclusivement pour l'usage indiqué dans cette documentation. Toute autre utilisation non expressément indiquée pourrait compromettre l'intégrité du produit et/ou représenter une source de danger.
5. GENIUS décline toute responsabilité qui dériverait d'usage improprie ou différent de celui auquel l'automatisme est destiné.
6. Ne pas installer l'appareil dans une atmosphère explosive: la présence de gaz ou de fumées inflammables constitue un grave danger pour la sécurité.
7. Les composants mécaniques doivent répondre aux prescriptions des Normes EN 12604 et EN 12605.
8. Pour les Pays extra-CEE, l'obtention d'un niveau de sécurité approprié exige non seulement le respect des normes nationales, mais également le respect des Normes susmentionnées.
9. GENIUS n'est pas responsable du non-respect de la Bonne Technique dans la construction des fermetures à motoriser, ni des déformations qui pourraient intervenir lors de l'utilisation.
10. L'installation doit être effectuée conformément aux Normes EN 12453 et EN 12445. Le niveau de sécurité de l'automatisme doit être C+D.
11. Couper l'alimentation électrique et déconnecter les batteries avant toute intervention sur l'installation.
12. Prévoir, sur le secteur d'alimentation de l'automatisme, un interrupteur onnipolaire avec une distance d'ouverture des contacts égale ou supérieure à 3 mm. On recommande d'utiliser un magnétothermique de 6A avec interruption onnipolaire.
13. Vérifier qu'il y ait, en amont de l'installation, un interrupteur différentiel avec un seuil de 0,03 A.
14. Vérifier que la mise à la terre soit réalisée selon les règles de l'art et y connecter les pièces métalliques de la fermeture.
15. L'automatisme dispose d'une sécurité intrinsèque anti-écrasement, formée d'un contrôle du couple. Il est toutefois nécessaire d'en vérifier le seuil d'intervention suivant les prescriptions des Normes indiquées au point 10.
16. Les dispositifs de sécurité (norme EN 12978) permettent de protéger des zones éventuellement dangereuses contre les Risques mécaniques du mouvement, comme par exemple l'écrasement, l'acheminement, le cisaillement.
17. On recommande que toute installation soit dotée au moins d'une signalisation lumineuse, d'un panneau de signalisation fixé, de manière appropriée, sur la structure de la fermeture, ainsi que des dispositifs cités au point "16".
18. GENIUS décline toute responsabilité quant à la sécurité et au bon fonctionnement de l'automatisme si les composants utilisés dans l'installation n'appartiennent pas à la production GENIUS.
19. Utiliser exclusivement, pour l'entretien, des pièces GENIUS originales.
20. Ne jamais modifier les composants faisant partie du système d'automatisme.
21. L'installateur doit fournir toutes les informations relatives au fonctionnement manuel du système en cas d'urgence et remettre à l'Usager qui utilise l'installation les "Instructions pour l'Usager" fournies avec le produit.
22. Interdire aux enfants ou aux tiers de stationner près du produit durant le fonctionnement.
23. Ne pas permettre aux enfants, aux personnes ayant des capacités physiques, mentales et sensorielles limitées ou dépourvues de l'expérience ou de la formation nécessaires d'utiliser l'application en question.
24. Éloigner de la portée des enfants les radiocommandes ou tout autre générateur d'impulsions, pour éviter tout actionnement involontaire de l'automatisme.
25. Le transit entre les vantaux ne doit avoir lieu que lorsque le portail est complètement ouvert.
26. L'utilisateur doit s'abstenir de toute tentative de réparation ou d'intervention et doit s'adresser uniquement et exclusivement au personnel qualifié GENIUS ou aux centres d'assistance GENIUS.
27. Tout ce qui n'est pas prévu expressément dans ces instructions est interdit.

# ESPAÑOL

## ADVERTENCIAS PARA EL INSTALADOR REGLAS GENERALES PARA LA SEGURIDAD

 **ATENCIÓN!** Es sumamente importante para la seguridad de las personas seguir atentamente las presentes instrucciones. Una instalación incorrecta o un uso impropio del producto puede causar graves daños a las personas.

1. Leer detenidamente las instrucciones antes de instalar el producto.
2. Los materiales del embalaje (plástico, poliestireno, etc.) no deben dejarse al alcance de los niños, ya que constituyen fuentes potenciales de peligro.
3. Guardar las instrucciones para futuras consultas.
4. Este producto ha sido proyectado y fabricado exclusivamente para la utilización indicada en el presente manual. Cualquier uso diverso del previsto podría perjudicar el funcionamiento del producto y/o representar fuente de peligro.
5. GENIUS declina cualquier responsabilidad derivada de un uso impropio o diverso

# INDEX

<b>1. DESCRIPTION</b>	<b>page.7</b>
<b>1.1. TECHNICAL SPECIFICATIONS</b>	<b>page.7</b>
<b>1.2. DIMENSIONS</b>	<b>page.7</b>
<b>2. INSTALLATION</b>	<b>page.8</b>
<b>2.1. ELECTRIC PREPARATIONS (STANDARD SYSTEM )</b>	<b>page.8</b>
<b>2.2. PRELIMINARY CHECKS</b>	<b>page.8</b>
<b>2.3. INSTALLATION DIMENSIONS</b>	<b>page.8</b>
<b>2.4. INSTALLING THE OPERATOR</b>	<b>page.9</b>
<b>3. ELECTRICAL CONNECTIONS</b>	<b>page.9</b>
<b>4. START-UP</b>	<b>page.10</b>
<b>5. AUTOMATED SYSTEM TEST</b>	<b>page.10</b>
<b>6. MANUAL OPERATION</b>	<b>page.10</b>
<b>7. RESTORING NORMAL OPERATION MODE</b>	<b>page.10</b>
<b>8. MAINTENANCE</b>	<b>page.10</b>
<b>9. SPECIAL APPLICATIONS</b>	<b>page.10</b>
<b>10. REPAIRS</b>	<b>page.10</b>
<b>11. ACCESSORIES</b>	<b>page.10</b>

## CE DECLARATION OF CONFORMITY FOR MACHINES (DIRECTIVE 98/37/EC)

**Manufacturer:** GENIUS S.p.A.

**Address:** Via Padre Elzi, 32 - 24050 - Grassobbio- Bergamo - ITALY

**Declares that:** Operator mod. **G-BAT/G-BAT Lento/G-BAT 24** with 230 Vac power supply

- is built to be integrated into a machine or to be assembled with other machinery to create a machine under the provisions of Directive 98/37/EC;
- conforms to the essential safety requirements of the following EEC directives:
  - 2006/95/EC Low Voltage directive.
  - 2004/108/EC Electromagnetic Compatibility directive.



Furthermore, the manufacturer declares that the machinery must not be put into service until the machine into which it will be integrated or of which it will become a component has been identified and its conformity to the conditions of Directive 89/392/EEC and subsequent modifications assimilated in Italian National legislation under Presidential Decree No. 459 of 24 July 1996 has been declared.

Grassobbio, 30 May 2008

The Managing Director  
D. Gianantoni

### Notes on reading the instruction

Read this installation manual to the full before you begin installing the product.

The symbol  indicates notes that are important for the safety of persons and for the good condition of the automated system.  
The symbol  draws your attention to the notes on the characteristics and operation of the product.

# G-BAT AUTOMATED SYSTEM

The **G-BAT** automated system for gates with swing leaves is an operator which transmits movement to the leaf via a worm screw system.

A handy release system makes it possible to move the gate manually in the event of a power cut or operator faults.

The **G-BAT** operator is available in both the 230/115V version and in the 24V version.

**⚠ Before you start installing the operator, read this manual to the letter.**

Store the manual for any future references.

Correct operation and the declared technical characteristics can be obtained only by respecting the indications in this manual and using **GENIUS** accessories and safety devices.

To ensure an adequate degree of safety for the automated system, the absence of a mechanical clutch device, calls for the use of a control unit with an adjustable electronic clutch device.

The **G-BAT** operator was designed and built to control vehicle access – **AVOID ANY OTHER USES.**

Anything not expressly specified in this manual is not permitted.

① To calculate use frequency, refer to paragraph 1.1.1.

② For leaves of over 2.5 m, an electrical lock is necessary to guarantee leaf blocking

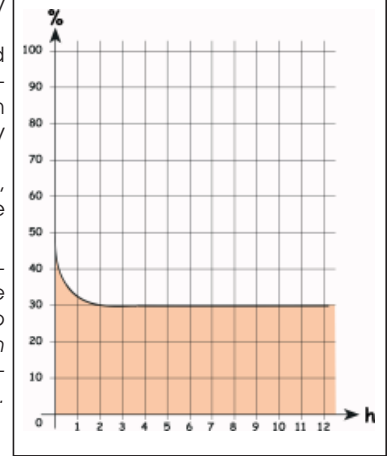
## 1.1.1. GRAPH AND USE FREQUENCY

The curve makes it possible to establish maximum work time (T) according to use frequency (F).

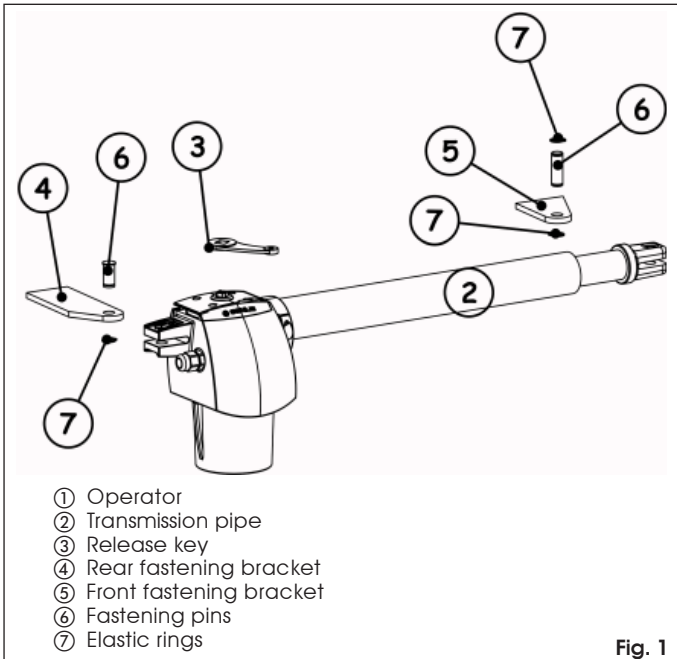
With reference to standard IEC 34-1, the **G-BAT** gearmotor, with service type S3, can operate at use frequency of 30%.

To ensure efficient operation, operate in the work range under the curve.

① The curve is obtained at a temperature of 20°C. Exposure to direct sun rays can reduce use frequency down to 20%.



## 1. DESCRIPTION



- ① Operator
- ② Transmission pipe
- ③ Release key
- ④ Rear fastening bracket
- ⑤ Front fastening bracket
- ⑥ Fastening pins
- ⑦ Elastic rings

Fig. 1

## 1.1. TECHNICAL SPECIFICATIONS

Model	G-BAT	G-BAT Lento (slow)	B-BAT 115V	G-BAT 24V
Power supply voltage and frequency	230Vac 50Hz		115Vac 60Hz	24Vdc
Absorbed power	280 W		350W	70W
Absorbed current	1.2 A		3 A	3 A
Thermal protection	140 °C			
Capacitor	8µF 400V		25µF 250V	
Max.thrust force	350 daN	300 daN	350 daN	300 daN
Rod stroke	300 mm / 400 mm			
Rod linear speed	1.6 cm/sec	1.1 cm/sec	1.85 cm/sec	1.6 cm/sec
Operating ambient temperature	-20 °C — +55°C			
Type and use frequency ①	S3 30%			Intensive
Indicative hour cycles at 20°C	≥30 (≥24)	≥20 (≥16)	≥30 (≥24)	≥100 (≥75)
Operator weight	6.5 Kg / 7Kg			
Protection class	IP 54			
Maximum leaf length ②	3 m / 4 m			

## CALCULATION OF USE FREQUENCY

The percentage of effective work time (opening + closing) compared to total time of cycle (opening + closing + pause times). Calculation formula:

$$\% F = \frac{T_a + T_c}{T_a + T_c + T_p + T_i} \times 100$$

Where:

- T<sub>a</sub> = opening time
- T<sub>c</sub> = closing time
- T<sub>p</sub> = pause time
- T<sub>i</sub> = interval time between one complete cycle and another

## 1.2. DIMENSIONS

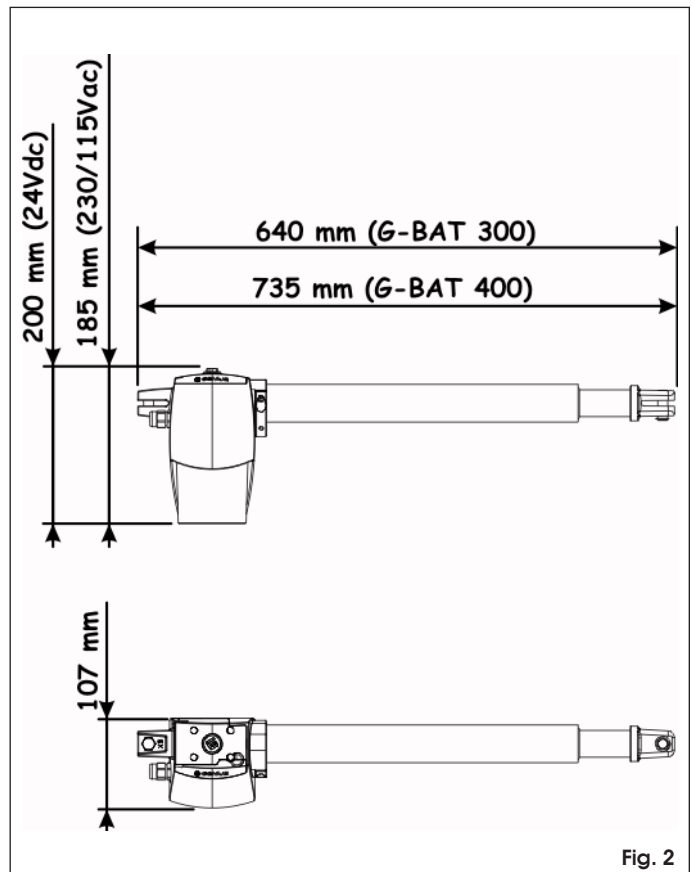


Fig. 2

## 2. INSTALLATION

### 2.1. ELECTRIC PREPARATIONS (STANDARD SYSTEM)

To lay cables, use adequate rigid and/or flexible tubes.

To avoid any type of interference, we advise you to always separate the 230/115Vac power cables from the low voltage command cables, using separate sheaths.

If it is necessary to extend the motor power cable, use a cable suitable for outdoor mobile laying.

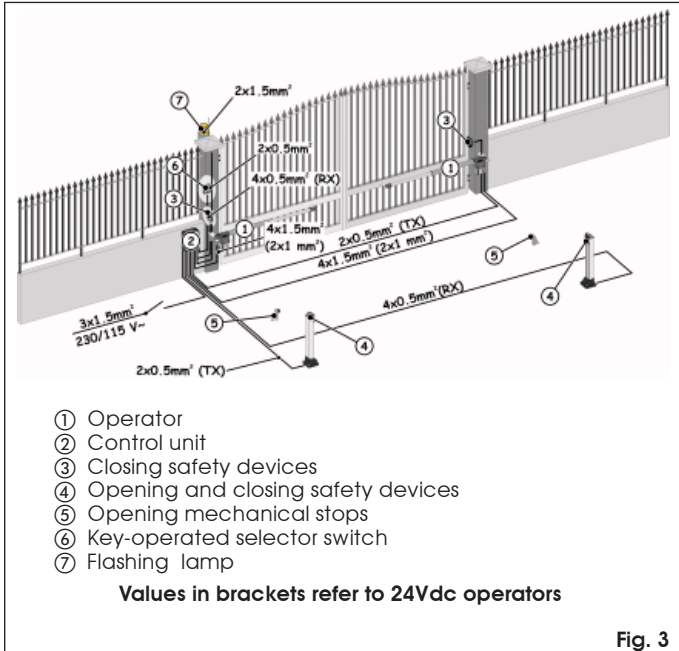


Fig. 3

### 2.2. PRELIMINARY CHECKS

To ensure a correctly operating automated system, the structure of the existing gate or gate to be built must satisfy the following requirements:

- The construction elements of the gate must comply with the provisions of the EN12604 and EN 12605 standards.
- Leaf dimensions must not exceed the values indicated in paragraph 1.1.
- The travel limit mechanical stops, for both opening and closing, must be installed.
- The structure of the leaves must be sufficiently rigid and sturdy, suitable for the automated system.
- Leaf movement must be smooth and free of any jamming during the entire travel.
- Adequately sturdy hinges, in good condition
- Check the possibility of fastening the operator, respecting the installation dimensions – see paragraph 2.3.
- Check if an efficient earth plate is present for electrical connection to the operator.

**Do not use the operator to move safety exits or gates installed on emergency routes (see escape routes).**

**If a pedestrians door is built into the leaf due to be motorised, you must add a safety switch on the door, connected to the stop input, in order to prevent the automated system working while the door is open.**

**The condition of the gate structure directly influences the safety and reliability of the automated system.**

**We advise you to carry out the metalwork jobs if any, before installing the operator.**

### 2.3. INSTALLATION DIMENSIONS

Determine the installation position of the operator by referring to figure 4, where the minimum off-ground height is specified.

To determine the operator installation dimensions, consult figure 5 and the relevant table.

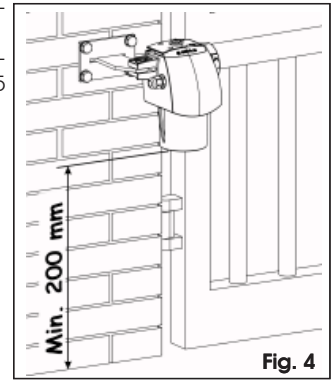
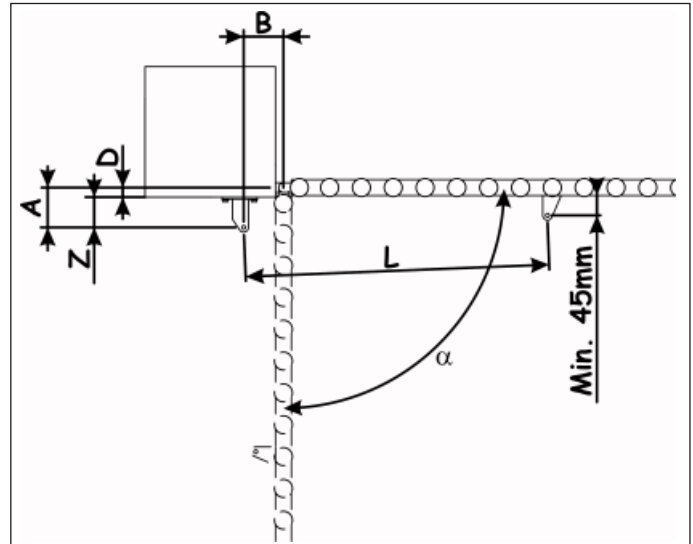


Fig. 4



Version	$\alpha$	A	B	C <sup>①</sup>	D <sup>②</sup>	Z <sup>③</sup>	L
300	90°	145	145	300	100	45	930
	110°	125	125		80		1110
400	90°	195	195	400	150	45	1110
	110°	165	165		120		

① Useful rod stroke ② maximum dimension ③ minimum dimension

Fig. 5

#### 2.3.1. GENERAL RULES FOR DETERMINING THE INSTALLATION DIMENSIONS.

1. To obtain 90° opening of the leaf:  $A+B=C$ .
2. To obtain leaf opening greater than 90°:  $A+B<C$ .
3. Lower dimensions A and B cause greater leaf peripheral speed.
4. Limit the difference between dimension A and dimension B within 4 centimetres; higher differences cause considerable leaf peripheral speed variations during closing and opening movements.
5. Maintain a Z dimension ensuring that the operator does not impact the pilaster, while the leaf is closed.

If the dimensions of the pilaster or the position of the hinge

do not allow the operator to be installed, to respect the determined dimension A, a niche must be created on the pilaster as shown in figure 6. The dimensions of the niche must allow smooth installation of the motor, not limit motor rotation and not obstruct motor release operations.

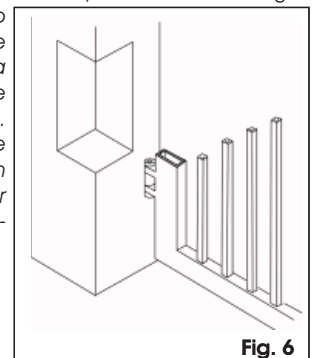
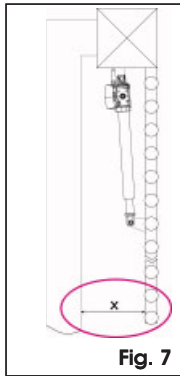


Fig. 6

**⚠** When the operator has been installed, check if dimension "X" in Fig. 7 is at the minimum of 500 mm. If dimension "X" is less than 500 mm, run an impact test on the point indicated in Fig.7, as described in standard UNI EN 12445, and make sure that the measured values conform to the specifications of standard UNI EN 12453.

If the thrust values are not within the values specified in standard UNI EN 12453, the zone indicated in figure 7 **MUST BE** protected with a protective device conforming to the UNI EN 12978 standard.



## 2.4. INSTALLING THE OPERATOR

1. Fit the rear bracket in the position you have just determined. If necessary, the length of the rear bracket can be modified in order to respect the installation dimensions (Z dimension included).

a- For iron pilasters, weld the bracket directly on the pilaster (Fig. 8).

b- For masonry pilasters, an appropriate plate (available as an optional item) must be used for screw fastening.

i- Weld the rear bracket to the plate and screw it on, inserting it in the slot (Fig. 9).

ii- Secure all the items on the pilaster using adequate securing systems (Fig. 10).

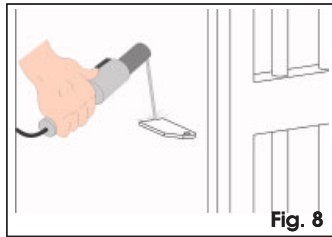


Fig. 8

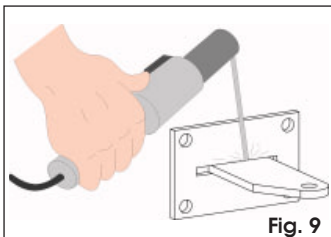


Fig. 9

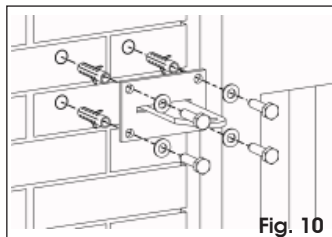


Fig. 10

**👉** During the operations to secure the rear bracket, use a level to check if the bracket is perfectly horizontal.

2. Fasten the operator on the rear bracket you have just secured, using the supplied pins and elastic rings (Fig. 11).

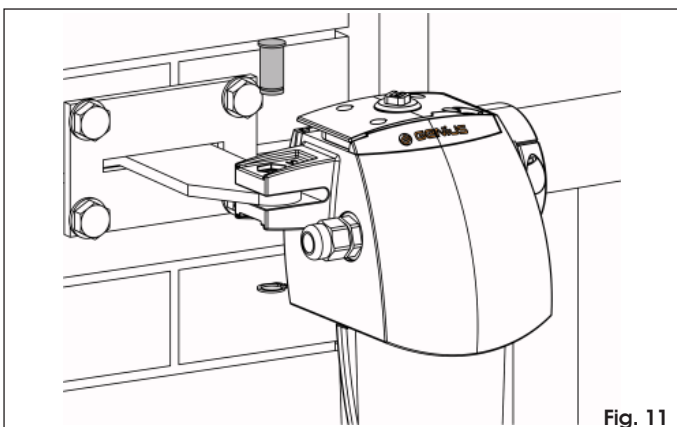


Fig. 11

**⚠** The G-BAT operator is available in both right and left versions. The operator must always be positioned as shown in Fig.12. The right hand operator is the operator which, by looking at the gate from the side where the operator is installed, is located on the right of the leaf (or on the right leaf in the case of 2-motor applications). Consequently, the motor on the left (or on the left leaf) is identified as the left operator.

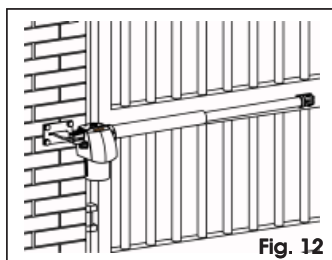


Fig. 12

3. Set the operator for manual operation, using the release system - see paragraph 6.  
4. Remove the pipe completely until it stops (Fig.13).

5. Restore normal operation of the operator - see paragraph 7.  
6. Turn the operator's rod clockwise by a half/full turn, Fig.14, to retract the rod.

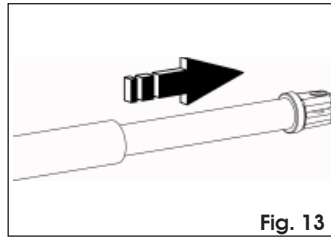


Fig. 13

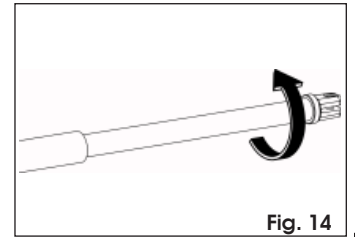


Fig. 14

7. Fit the front bracket using the pin and the supplied elastic rings (Fig. 15).

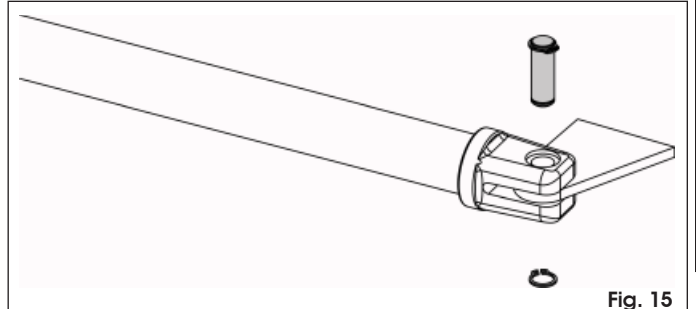


Fig. 15

8. Close the gate leaf.

9. Bring the operator pipe to the leaf until the front bracket rests against the leaf (Fig.16),

10. Using a level, check if the operator is perfectly horizontal and provisionally secure the front bracket with two weld spots (Fig. 16.).

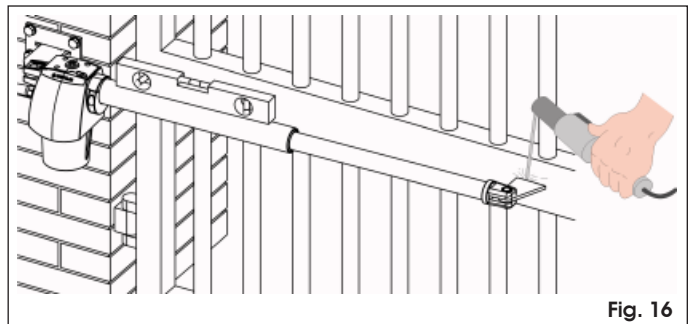


Fig. 16

11. Prepare the operator for manual operation - see paragraph 6 - and make sure that the leaf can perform all the required opening, stopping at the opening mechanical stops. If necessary, remove the front racket and repeat operations from point 8.

12. Definitively weld the front bracket to the leaf.

**👉** We advise you to provisionally release the operator from the bracket, to prevent it damaging during the welding operation.

We advise you to grease all the operator securing pins.

13. Install the second motor if any.

14. Install the container for the control unit and any accessories, following the relevant instructions.

## 3. ELECTRICAL CONNECTIONS

When the motor and all the necessary accessories have been installed, make the connections in the control unit, following the control unit instructions.

**👉** If the power cable must be extended, a connector block must be provided for the connection of the two cables.

#### 4. START-UP

When you have finished the connections of the motor and accessories, program the work cycle as indicated in the control unit instructions.

#### 5. AUTOMATED SYSTEM TEST

Carefully verify the operation of the automated system and of all the installed devices, with particular attention to the correct operation of the safety devices.

Instruct the User Customer about the correct operation and use of the automated system, pointing out the potentially danger zones.

Deliver to the User Customer the "User's Guide" handbook annexed to these instructions.

#### 6. MANUAL OPERATION

If the gate has to be moved manually due to a power cut or operator failure, proceed as follows:

1. Cut electrical power with the differential switch, also in the event of a power cut.
2. Insert the manoeuvring key in its seat located at the top of the operator (Fig.17).
3. Turn the key in the direction of the arrow (Fig.18) – the release lever opens slightly to facilitate meshing.
4. Rotate the release lever until it stops, (Fig.19).

 This operation may require some force.

5. Move the leaf by hand.

#### 7. RESTORING NORMAL OPERATION MODE

Procedure for restoring normal operation of the motor:

1. Make sure that the system is not powered, using the differential switch.
2. Close the release lever (Fig.20).
3. Exert light pressure to attach the lever.
4. Move the leaf by hand until it stops.
5. Supply power to the system.
6. Command a couple of work cycles to verify correct restoration of all functions.

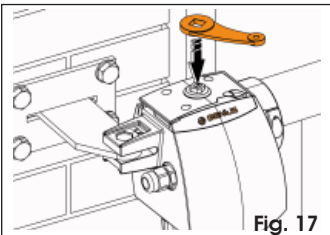


Fig. 17

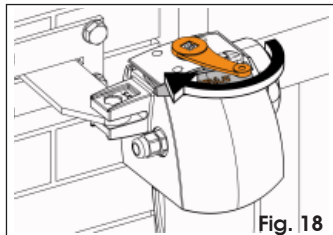


Fig. 18

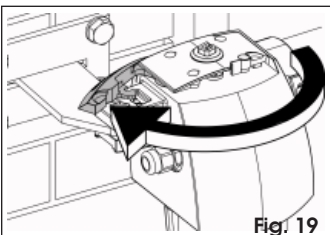


Fig. 19

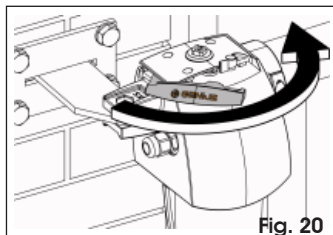


Fig. 20

#### 8. MAINTENANCE

To ensure correct long-term operation and a constant level of safety, we advise you to generally control the system every 6 months. In the "User's Guide" booklet, there is a form for recording jobs.

#### 9. SPECIAL APPLICATIONS

Applications other than those described in this manual are EXPRESSLY PROHIBITED.

#### 10. REPAIRS

The User must not in any way attempt to repair or to take direct action and must solely contact qualified GENIUS personnel or GENIUS service centres.

#### 11. ACCESSORIES

For accessories, consult the GENIUS catalogue.

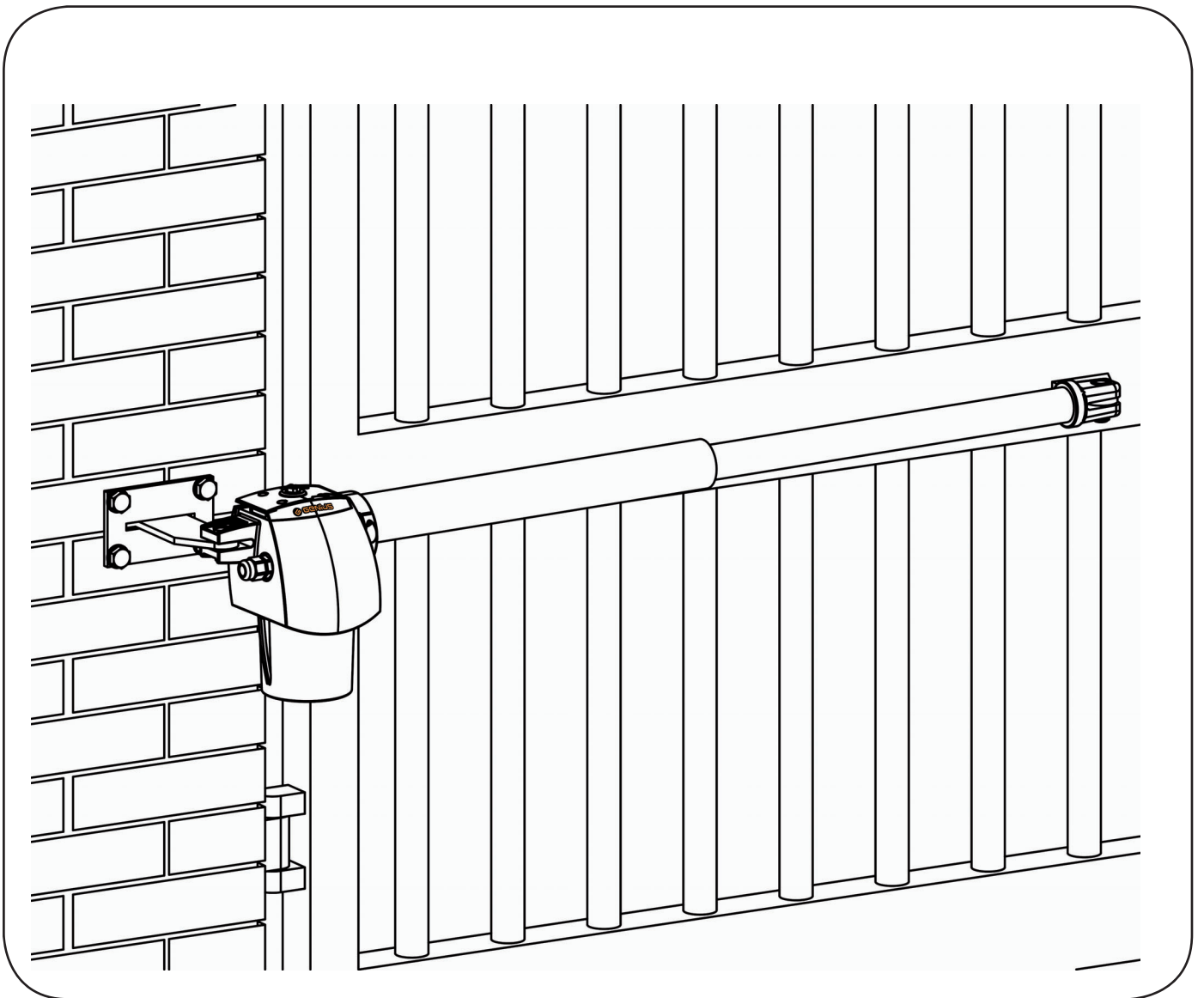
# **G - BAT**

**ISTRUZIONI PER L'USO - INSTRUCTIONS FOR USE**

**INSTRUCTIONS POUR L'USAGER**

**INSTRUCCIONES PARA EL USO**

**GEBRAUCHSANLEITUNG - GIDS VOOR DE GEBRUIKER**



# **GENIUS<sup>®</sup>**

**COMPANY**

**WITH QUALITY SYSTEM**

**CERTIFIED BY DNV**

**= UNI EN ISO 9001/2000 =**



**⚠ Read the instructions carefully before using the product and store them for future use**

## GENERAL SAFETY REGULATIONS

If correctly installed and used, the **G-BAT** automated system ensures a high degree of safety. Some simple rules on behaviour can prevent accidental trouble:

- Do not stand near the automated system, and do not allow children, persons or things to do so, especially when it is operating.
- Keep radio-controls, or any other pulse generators that could involuntarily activate the automated system, well away from children.
- Do not allow children to play with the automated system.
- Do not willingly obstruct gate movement.
- Prevent any branches or shrubs from interfering with gate movement.
- Keep indicator-lights efficient and easy to see.
- Do not attempt to activate the gate by hand unless you have released it.
- In the event of malfunctions, release the gate to allow access and wait for qualified technical personnel to do the necessary work.
- When you have set manual operation mode, cut power to the system before restoring normal operation.
- Do not in any way modify the components of the automated system.
- Do not attempt any kind of repair or direct action whatever and contact qualified personnel only.
- At least every six months: arrange a check by qualified personnel of the automated system, safety devices and earth connection.

## DESCRIPTION

The **G-BAT** automated system is ideal for controlling vehicle access areas in residential ambients.

**G-BAT** for swing leaf gates is an irreversible electro-mechanical operator which transmits movement to the leaf via a worm screw system.

For behaviour of the gate in different function logics, consult the installation Technician.

Automated systems include safety devices (photocells) that prevent the gate from closing when there is an obstacle in the area they protect.

The system guarantees mechanical blocking when the motor is not operating.

A handy manual release facility makes it possible to move the gate in the event of a power cut or fault.

The indicator-light indicates that the gate is moving.

## MANUAL OPERATION

If the gate has to be moved manually due to a power cut or operator failure, proceed as follows:

1. Cut electrical power with the differential switch, also in the event of a power cut.
2. Insert the manoeuvring key in its seat located at the top of the operator (Fig.1).
3. Turn the key in the direction of the arrow (Fig.2) – the release lever opens slightly to facilitate meshing.
4. Rotate the release lever until it stops, (Fig.3).

 *This operation may require some force.*

5. Move the leaf by hand.

## RESTORING NORMAL OPERATION MODE

Procedure for restoring normal operation of the motor:

1. Make sure that the system is not powered, using the differential switch.
2. Close the release lever (Fig.4).
3. Exert light pressure to attach the lever.
4. Move the leaf by hand until it stops.
5. Supply power to the system.
6. Command a couple of work cycles to verify correct restoration of all functions.

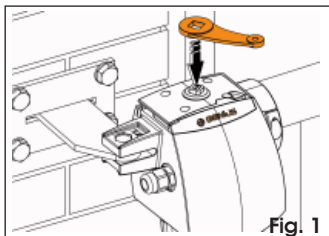


Fig. 1

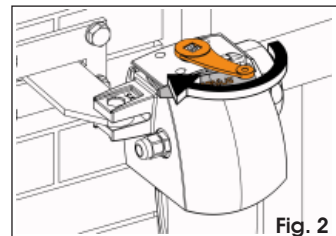


Fig. 2

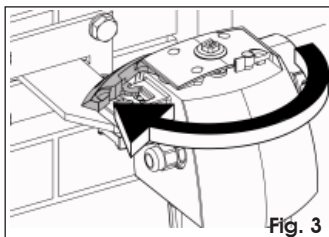


Fig. 3

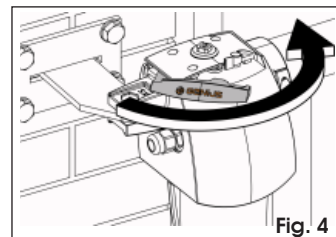


Fig. 4

## MAINTENANCE

To ensure correct long-term operation and a constant level of safety, we advise you to generally control the system every 6 months. In the "User's Guide" booklet, there is a form for recording jobs.

## REPAIRS

The User must not in any way attempt to repair or to take direct action and must solely contact qualified GENIUS personnel or GENIUS service centres.

## AVAILABLE ACCESSORIES

For available accessories, consult the GENIUS price list.



Nr	Data / Date / Date / Fecha / Datum / Datum	Descrizione intervento / Job description / Description de l'intervention / Descripción de la intervención / Beschreibung der Arbeiten / Beschrijving ingreep	Firme / Signatures / Signatures / Firma / Unterschrift / Handtekeningen
1			Tecnico / Technician Technicien / Técnico Techniker / Technicus Cliente / Customer Client / Cliente Kunde / Klant
2			Tecnico / Technician Technicien / Técnico Techniker / Technicus Cliente / Customer Client / Cliente Kunde / Klant
3			Tecnico / Technician Technicien / Técnico Techniker / Technicus Cliente / Customer Client / Cliente Kunde / Klant
4			Tecnico / Technician Technicien / Técnico Techniker / Technicus Cliente / Customer Client / Cliente Kunde / Klant
5			Tecnico / Technician Technicien / Técnico Techniker / Technicus Cliente / Customer Client / Cliente Kunde / Klant
6			Tecnico / Technician Technicien / Técnico Techniker / Technicus Cliente / Customer Client / Cliente Kunde / Klant
7			Tecnico / Technician Technicien / Técnico Techniker / Technicus Cliente / Customer Client / Cliente Kunde / Klant
8			Tecnico / Technician Technicien / Técnico Techniker / Technicus Cliente / Customer Client / Cliente Kunde / Klant
9			Tecnico / Technician Technicien / Técnico Techniker / Technicus Cliente / Customer Client / Cliente Kunde / Klant
10			Tecnico / Technician Technicien / Técnico Techniker / Technicus Cliente / Customer Client / Cliente Kunde / Klant









Le descrizioni e le illustrazioni del presente manuale non sono impegnative. La GENIUS si riserva il diritto, lasciando inalterate le caratteristiche essenziali dell'apparecchiatura, di apportare in qualunque momento e senza impegnarsi ad aggiornare la presente pubblicazione, le modifiche che essa ritiene convenienti per miglioramenti tecnici o per qualsiasi altra esigenza di carattere costruttivo o commerciale.

The descriptions and illustrations contained in the present manual are not binding. GENIUS reserves the right, whilst leaving the main features of the equipments unaltered, to undertake any modifications it holds necessary for either technical or commercial reasons, at any time and without revising the present publication.

Les descriptions et les illustrations du présent manuel sont fournies à titre indicatif. GENIUS se réserve le droit d'apporter à tout moment les modifications qu'elle jugera utiles sur ce produit tout en conservant les caractéristiques essentielles, sans devoir pour autant mettre à jour cette publication.

Las descripciones y las ilustraciones de este manual no comportan compromiso alguno. GENIUS se reserva el derecho, dejando inmutadas las características esenciales de los aparatos, de aportar, en cualquier momento y sin comprometerse a poner al día la presente publicación, todas las modificaciones que considere oportunas para el perfeccionamiento técnico o para cualquier otro tipo de exigencia de carácter constructivo o comercial.

Die Beschreibungen und Abbildungen in vorliegendem Handbuch sind unverbindlich. GENIUS behält sich das Recht vor, ohne die wesentlichen Eigenschaften dieses Gerätes zu verändern und ohne Verbindlichkeiten in Bezug auf die Neufassung der vorliegenden Anleitungen, technisch bzw. konstruktiv/kommerziell bedingte Verbesserungen vorzunehmen.

De beschrijvingen in deze handleiding zijn niet bindend. GENIUS behoudt zich het recht voor op elk willekeurig moment de veranderingen aan te brengen die het bedrijf nuttig acht met het oog op technische verbeteringen of alle mogelijke andere productie- of commerciële eisen, waarbij de fundamentele eigenschappen van de apparaat gehandhaafd blijven, zonder zich daardoor te verplichten deze publicatie bij te werken.

**Timbro rivenditore: / Distributor's stamp: / Timbre de l'agent: / Sello del revendedor: / Fachhändlerstempel: / Stempel dealer:**

# GENIUS®

Via Padre Elzi, 32  
24050 - Grassobbio  
BERGAMO-ITALY  
tel. 0039.035.4242511  
fax. 0039.035.4242600  
info@geniusg.com  
www.geniusg.com



0005810777 Rev.0